

# led-trac

New special low-voltage track system with integrated data bus for individual controlled light fixtures.



Opens up completely new dimensions in the development of puristic minimalist LED track spot lights without the need of big driver cases.

Low-voltage track system for up to 48V DC at a maximum current of 25A, plus data bus for individual control of each light fixture. The data information can be picked up anywhere along the track. Beside the DALI protocol the data bus can be used for DMX or 0–10V protocols.

The track consists of an extreme shallow extruded aluminium profile (29x15 mm) and two PVC supporter profiles, each with one embedded 3.4 mm<sup>2</sup> cross section copper conductor and one 1 mm<sup>2</sup> cross section copper conductor.



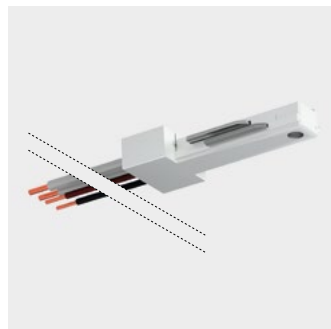
**led-trac**  
**2 m**  
556 2 4102

| ○ | ● | ● |
|---|---|---|
| 1 | 2 | 3 |



**3 m**  
556 2 4103

|   |   |   |
|---|---|---|
| 1 | 2 | 3 |
|---|---|---|



**Adapter**  
556 2 6501

|   |   |   |
|---|---|---|
| 1 | 2 | 3 |
|---|---|---|

**Endfeed**  
**right**  
556 2 4201

|   |   |   |
|---|---|---|
| 1 | 2 | 3 |
|---|---|---|

**left**  
556 2 4202

|   |   |   |
|---|---|---|
| 1 | 2 | 3 |
|---|---|---|



**Straight**  
**coupler to**  
**join two**  
**sections of**  
**track**  
556 2 4206

|   |   |   |
|---|---|---|
| 1 | 2 | 3 |
|---|---|---|



**End cup**  
556 0 4117

|   |   |   |
|---|---|---|
| 1 | 2 | 3 |
|---|---|---|

## EUTRAC®

eutrac.de

### Customer service Germany

Herderstrasse 18  
40721 Hilden, Germany  
P: +49 (0)2103/90 85 6-0  
F: +49 (0)2103/90 85 6-29  
service@eutrac.de

### Customer service international

Spernberger Strasse 1  
12277 Berlin, Germany  
P: +49 (0)30/27 0009-0  
F: +49 (0)30/27 0009-248  
export@eutrac.de