

INSTALLATION INSTRUCTIONS

- READ ALL OF THESE INSTALLATION INSTRUCTIONS BEFORE INSTALLING THE EUTRAC TRACK SYSTEM.
- SAVE THESE INSTRUCTIONS AND REFER TO THEM WHEN ADDITIONS TO OR CHANGES IN THE TRACK CONFIGURATION ARE MADE.
- Component is only to be used with EUTRAC series 238 track system-fittings.
- To be installed by trained personnel only.
- It is the responsibility of the installer to ensure the electrical, mechanical and thermal compatibility of the track system and the fittings.
- Materials used for ceiling fixation should conform to relevant building regulations.
- It is essential to cover the ends of the track with end covers or protective caps.
- This track system is not intended for use with a power supply cord or convenience receptacle adaptor.
- This track system is to be supplied by a single branch circuit.
- Track is not to be mounted by cables.

IMPORTANT SAFETY INSTRUCTIONS

- READ ALL INSTRUCTIONS.
- Do not install this track in damp or wet locations.
- Unless provision for field cutting, do not cut any track sections.
- Do not install any part of a track system less than 5 ft. above the floor.
- Do not install any fixture assembly closer than 6 inches from any curtain or similar combustible material.
- Disconnect electrical power before adding to or changing the configuration of the track.
- Do not attempt to energize anything other than lighting track fixtures on the track. To reduce the risk of fire and electrical shock, do not attempt to connect power tools, extension cords, appliances, and the like to the track.
- (For track lighting systems other than 120V, two-wire) Do not connect the track to more than one branch circuit unless the track is constructed so that it can be used with more than one branch circuit. Check with a qualified electrician. Although the track lighting system may seem to operate acceptably, a dangerous overload of the neutral may occur and result in a risk of fire.
- SAVE THESE INSTRUCTIONS.

Installation Instructions

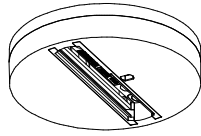
Montageanleitung

USA

EUTRAC | DALI

the intelligent track™

1~ /120V



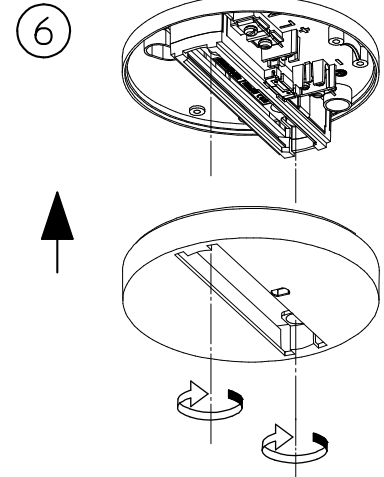
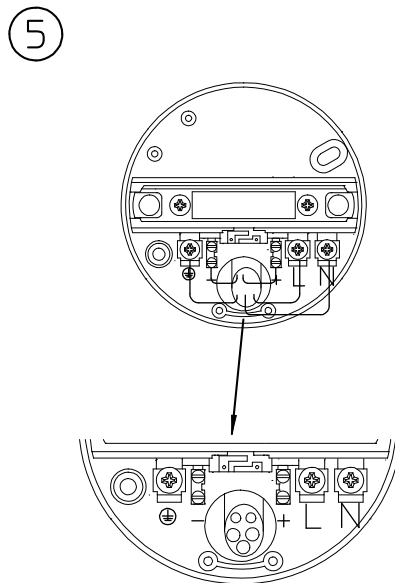
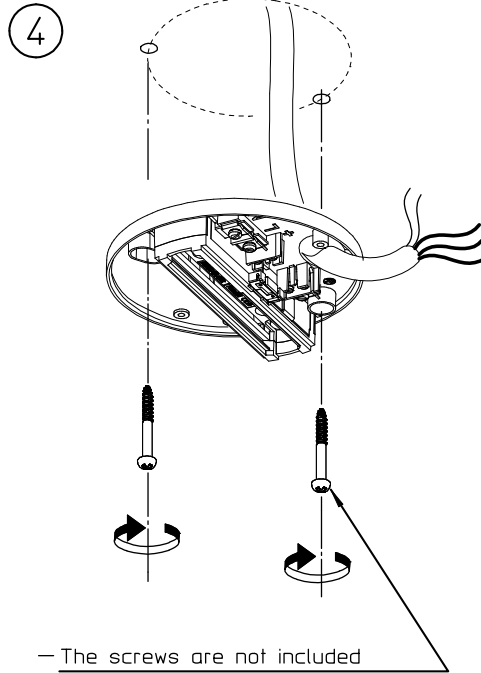
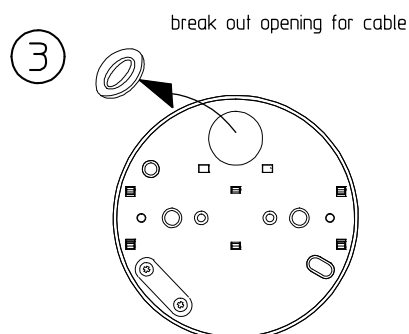
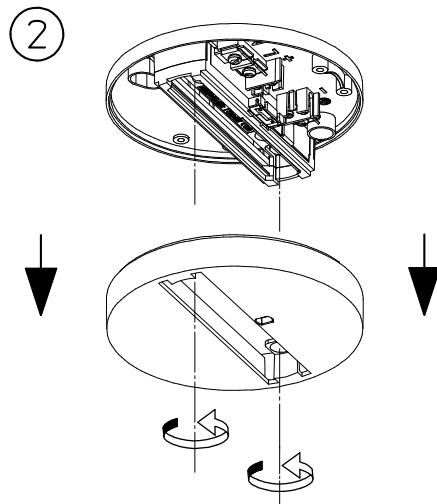
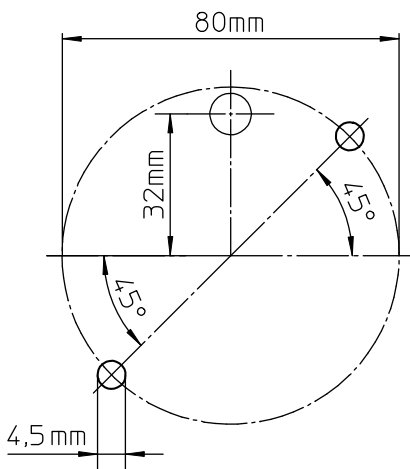
98-614-

Surface mounted
universal monopoint

Aufbau-Universal-
Punktauslass



- ① — Drilling scheme for
the ceiling mounting



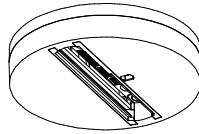
— Max. load
= 11 lbs. (5kg)

Installation
Instructions
Montageanleitung

USA

EUTRAC DALI
the intelligent track™

1~ /120V



98-614-

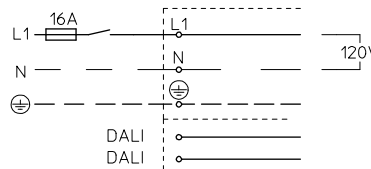
Surface mounted
universal monopoint
Aufbau-Universal-
Punktauslass



$$P_{max.} = 2400 \text{ VA}$$

$$\begin{aligned} \text{---} &= 1 \times 20\text{A} \\ \text{---} &= 3 \times 12 \text{ AWG} \end{aligned}$$

$$\text{---} &= 2 \times 18 \text{ AWG}$$



For 120V

Maximum load: 2400VA.

Fuser: 1 x 20A.

Supply cable (minimum): 3 x 1,5mm² (maximum): 3 x 2,5mm²

- Standard DALI control systems may only be used if they fulfil SELV (Safety-Extra-Low-Voltage) requirements.

If not use a SELV safety component.

EUTRAC / DALI control system permissible

ATTENTION:

Data lead max. 20V 250 mA

- This product is suitable for indoor dry locations only.
- To be installed by trained personnel only. (electrician)
- This instruction shows a typical installation.
- It is the responsibility of the installer to ensure the electrical, mechanical and thermal compatibility of the track system and the fittings.
- Materials used for ceiling fixation should conform to relevant building regulations.
- It is essential to cover the ends of the track with end covers or protective caps
- Save these Instructions.

Installation Instructions

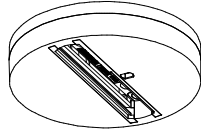
Montageanleitung

EU

EUTRAC | DALI

the intelligent track™

1~ / 230V



98-614-

Surface mounted
universal monopoint

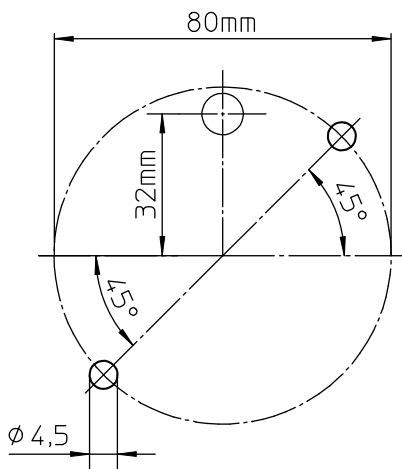
Aufbau-Universal-
Punktauslass



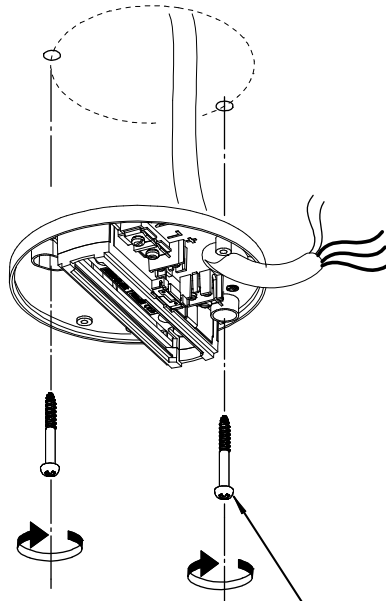
WEEE-REG.-NR. DE 52540255

① — Drilling scheme for
the ceiling mounting

— Bohrbild für die
Deckenbefestigung

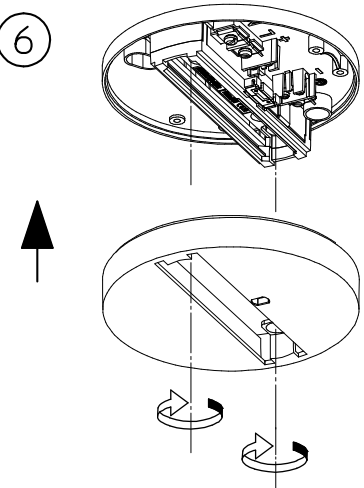


④

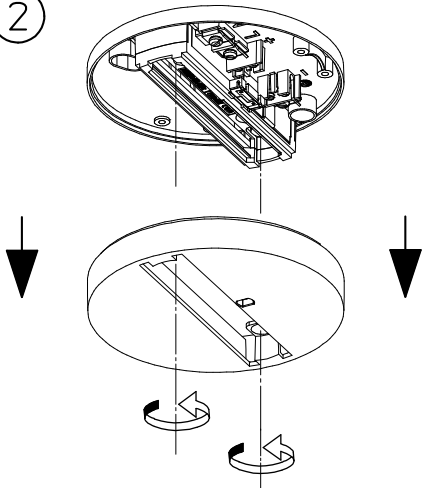


— The screws are not included
— Schrauben werden nicht mitgeliefert

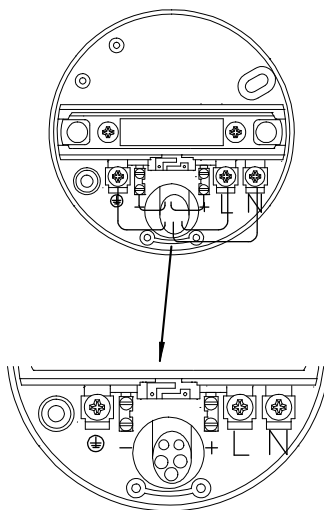
⑥



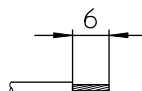
②



⑤

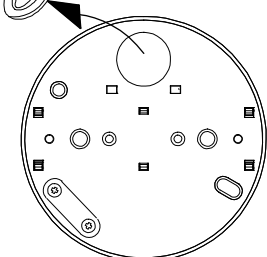


— strip insulation 6mm
— Zuleitung 6mm abisolieren



③

break out opening for cable
Kabelöffnung ausbrechen



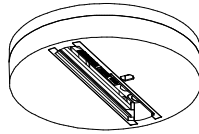
— Max. load
— Max. Belastbarkeit
= 50N (5kg)

Installation
Instructions
Montageanleitung

EU

EUTRAC DALI
the intelligent track™

1~ /230V



98-614-.

Surface mounted
universal monopoint
Aufbau-Universal-
Punktauslass



WEEE-REG.-NR. DE 52540255

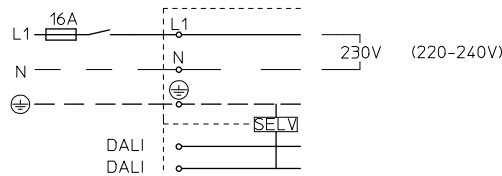
$$P_{max.} = 3600 \text{ VA} \\ (3.500 - 3.800\text{VA})$$

$$\text{---} = 1 \times 16\text{A}$$

$$\varnothing_{min.} = 3 \times 1,5 \text{ mm}^2$$

$$\varnothing_{max.} = 3 \times 2,5 \text{ mm}^2$$

$$\text{DALI } \varnothing_{max.} = 2 \times 1 \text{ mm}^2$$



For 230V (240V) alternating current

Anschluß am Wechselstromnetz 230V (240V)

Maximum load: 3600VA (3800VA).

Fuser: 1 x 16A.

Supply cable (minimum): 3 x 1,5mm² (maximum): 3 x 2,5mm²

Höchstbelastung : 3600VA (3800VA)

Absicherung 1 x 16A.

Zuleitung (min.): 3 x 1,5mm² (max.): 3 x 2,5mm²

- Standard DALI control systems may only be used if they fulfil SELV (Safety-Extra-Low-Voltage) requirements. If not use a SELV safety component.

EUTRAC / DALI control system permissible

- Der Einsatz handelsüblicher DALI-Betriebsgeräte ist nur dann zulässig, wenn diese den SELV- (Safety-Extra-Low-Voltage) Bestimmungen entsprechen oder ein SELV Sicherheitsbaustein zur Anwendung kommt.

EUTRAC / DALI Geräte zulässig.



ATTENTION:

Data lead (SELV)

DALI ; DSI ; 1-10V ; EIB max. 20V 250 mA

ACHTUNG:

Datenleitung nur Kleinspannung (SELV)

DALI ; DSI ; 1-10V ; EIB max. 20V 250 mA

- This product is suitable for indoor dry loctions only.
- To be installed by trained personnel only. (electrician)
- This instruction shows a typical installation.
- It is the responsibility of the installer to ensure the electrical, mechanical and thermal compatibility of the track system and the fittings.
- Materials used for ceiling fixation should conform to relevant building regulations.
- It is essential to cover the ends of the track with end covers or protective caps
- Save these Instructions.

- Dieses Produkt ist nur für trockene Innenräume geeignet.
- Montage nur durch geschultes Fachpersonal. (Elektriker)
- Diese Anleitung beschreibt die Standard Montage.
- Es liegt in dem Verantwortungsbereich des Installateurs, die elektrische, mechanische und thermische Verträglichkeit zwischen dem Stromschienen-System und den daran angebrachten Leuchten sicherzustellen.
- Im Deckenbereich nur baupolizeilich zugelassenes Befestigungsmaterial verwenden.
- Es ist zwingend notwendig, die Stromschienenenden mit Endabdeckung bzw. Schutzkappen zu verschliessen.
- Montageanleitung aufbewahren.