

INSTALLATION INSTRUCTIONS

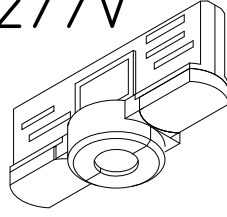
- READ ALL OF THESE INSTALLATION INSTRUCTIONS BEFORE INSTALLING THE EUTRAC TRACK SYSTEM.
- SAVE THESE INSTRUCTIONS AND REFER TO THEM WHEN ADDITIONS TO OR CHANGES IN THE TRACK CONFIGURATION ARE MADE.
- Fitting is only to be used with EUTRAC series 242 track system.
- To be installed by trained personnel only.
- It is the responsibility of the installer to ensure the electrical, mechanical and thermal compatibility of the track system and the fittings.
- Materials used for ceiling fixation should conform to relevant building regulations.
- It is essential to cover the ends of the track with end covers or protective caps.
- This track system is not intended for use with a power supply cord or convenience receptacle adaptor.
- This track system is to be supplied by a single branch circuit.
- Track is not to be mounted by cables.

IMPORTANT SAFETY INSTRUCTIONS

- READ ALL INSTRUCTIONS.
- Do not install this track in damp or wet locations.
- Unless provision for field cutting, do not cut any track sections.
- Do not install any part of a track system less than 5 ft. above the floor.
- Do not install any fixture assembly closer than 6 inches from any curtain or similar combustible material.
- Disconnect electrical power before adding to or changing the configuration of the track.
- Do not attempt to energize anything other than lighting track fixtures on the track. To reduce the risk of fire and electrical shock, do not attempt to connect power tools, extension cords, appliances, and the like to the track.
- (For track lighting systems other than 120V, two-wire) Do not connect the track to more than one branch circuit unless the track is constructed so that it can be used with more than one branch circuit. Check with a qualified electrician. Although the track lighting system may seem to operate acceptably, a dangerous overload of the neutral may occur and result in a risk of fire.
- SAVE THESE INSTRUCTIONS.

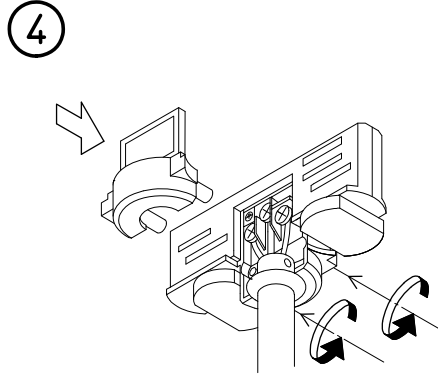
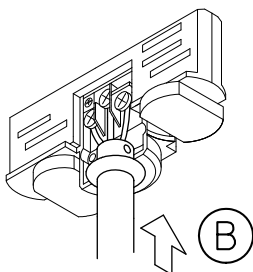
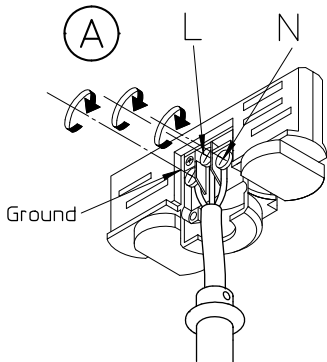
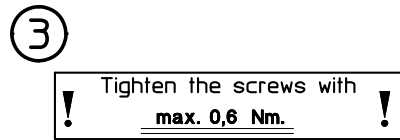
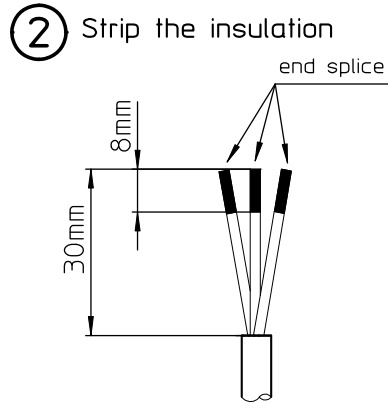
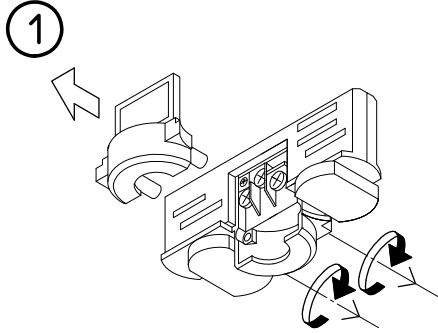
Installation Instructions

EUTRAC® 2~/277V

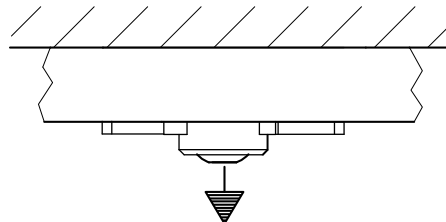


98-571-.

MultiAdaptor

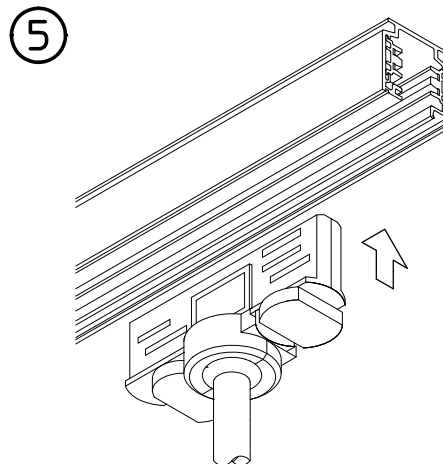


Maximum load:



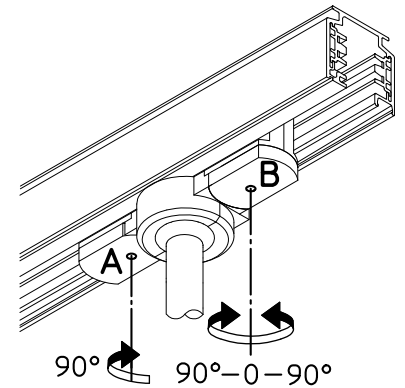
99-779 + 99-080- |
99-083- |
99-084- | 10 lbs
99-085- |
99-086- |

99-779 + 99-066- | 22 lbs



Note :

The EUTRAC Multi Adaptor only fits into the EUTRAC-Track 242...



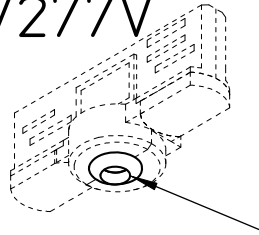
Turn knob **A** clockwise 90° for mechanical fixing.

Turn knob **B** clockwise 90° to connect the adaptor to circuit 1.

Turn knob **B** counterclockwise 90° to connect the adaptor to circuit 2.

Installation Instructions

EUTRAC® 2~/277V

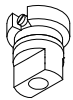


99-080-
99-083-
99-084-
99-085-
99-086-
99-066-

Retaining collar

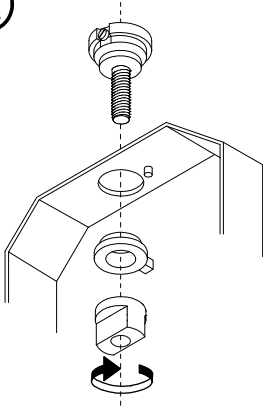


99-086-
∅ 10,5mm
13,5mm

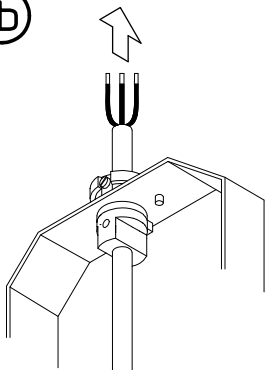


99-066-
∅ 13,5mm
16,5mm

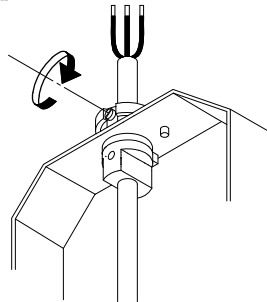
1a



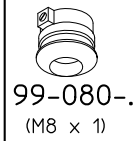
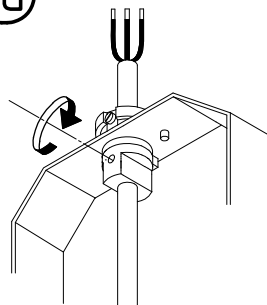
1b



1c



1d



99-080-
(M8 x 1)

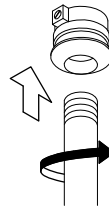


99-084-
(M10 x 1)

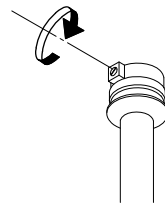


99-085-
(M13 x 1)

2a



2b

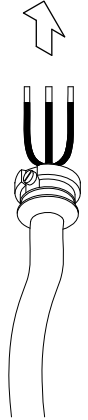


2c



99-083-

3a



3b

