

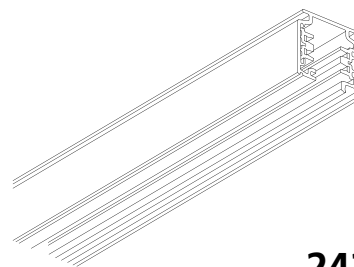
# · INSTALLATION INSTRUCTIONS ·

Surface Track Standard and accessories

# EUTRAC®

# 2~

2 Circuit ( 277V )  
Tracks and Adaptors  
[www.EUTRAC.com](http://www.EUTRAC.com)



242 ...

## INSTALLATION INSTRUCTION

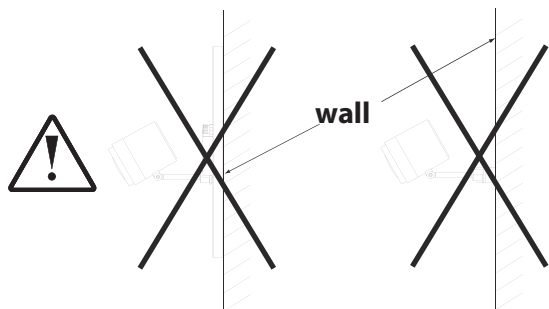
- **READ ALL OF THESE INSTALLATION INSTRUCTIONS BEFORE INSTALLING THE EUTRAC TRACK SYSTEMS.**
- **SAVE THESE INSTRUCTIONS AND REFER TO THEM WHEN ADDITIONS TO OR CHANGES IN THE TRACK CONFIGURATION ARE MADE.**
- Track is only to be used with other electrical fittings identified for use with the EUTRAC track system 242 .
- To be installed by trained personnel only ( electricans ).
- The Installation and operation of this track system are subject to national safety regulations.  
The manufacturer is not liable for damage caused by improper use or installation.  
If any track system components is subsequently modified, the person responsible for the modification shall be considered as manufacturer.
- It is the responsibility of the installer to ensure the electrical, mechanical and thermal compatibility of the track system and the fittings.
- Materials used for ceiling fixation should conform to the relevant building regulations.
- It is essential to cover the ends of the track with end covers or protective caps.
- This track system is not intended for use with a power supply cord or convenience receptable adaptor.
- This track system is to be supplied by a single branch circuit.

## IMPORTANT SAFETY INSTRUCTIONS

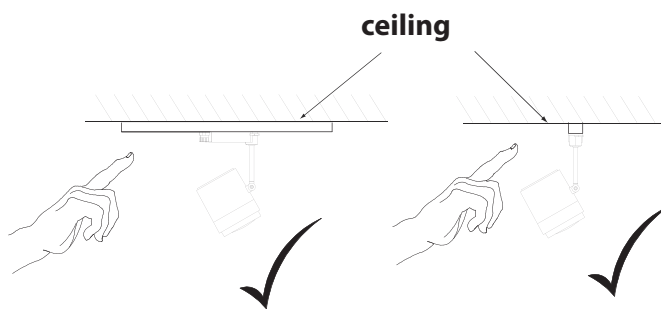
- **READ ALL INSTRUCTIONS.**
- Do not install this track in damp or wet locations.
- (Unless provision for field cutting. Do not cut any track sections.)
- Do not install any part of a track system less 5 ft. above the floor.
- Do not install any fixture assembly closer than 6 in. from any curtain or similar combustible material.
- Disconnect electrical power before adding to or changing the configuration of the track.
- Do not attempt to energize anything other than lighting track fixtures on the track.  
In order to reduce the risk of fire and electrical shock, do not attempt to connect power tools, extension cords, appliances and the like to the track.
- ( For track lighting systems other than 277V, two circuit.)  
Do not connect the track to more than the branch circuit unless the track is constructed so that it can be used with more than one branch circuit.  
Check with a qualified electrician. Although the track lighting system may seem to operate appropriately, a dangerous overload of the neutral may occur and result in a risk of fire.
- **SAVE THESE INSTRUCTIONS.**

## Essential Information

- This track system is not to be mounted on walls.



- This track system is only suitable for ceiling fixation.



01.11.2010

Page 1/4

# 432900

MT 6.085/9

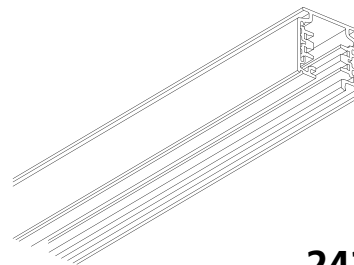
• **INSTALLATION INSTRUCTIONS** •

Surface Track Standard and accessories

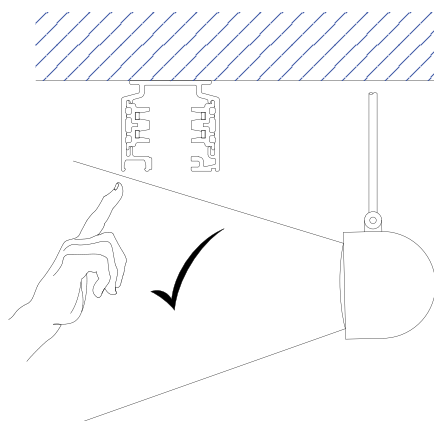
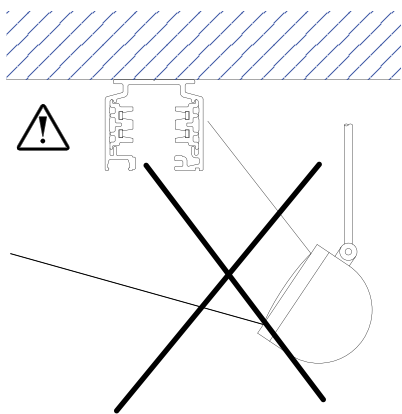
**EUTRAC®**

**2~**

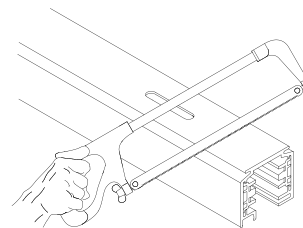
2 Circuit ( 277V )  
Tracks and Adaptors  
[www.EUTRAC.com](http://www.EUTRAC.com)



**242 ...**

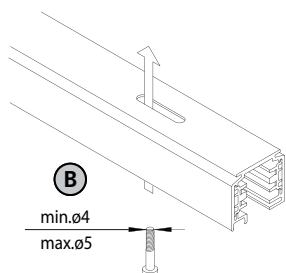
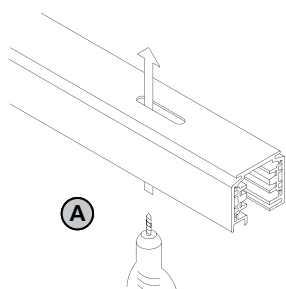


- When cutting the track do not cut-off labeled side !
- Remove burrs after cutting.!

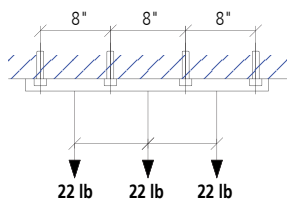


- Minimum distance that the bus bar can be cut back from the edge of the track-profile is 2 mm.
- Bus bar does not have to be moved out of the track profile.

**1**



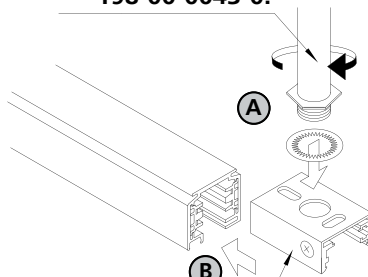
Use flat headed screws only.



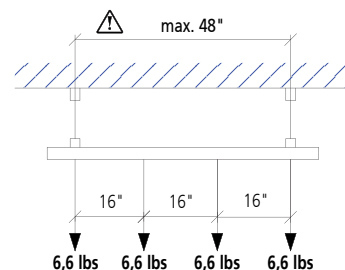
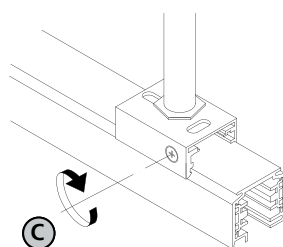
For other load information, please contact EUTRAC

**2**

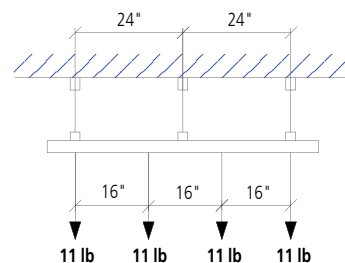
**198-00-0043-0.**



**198-00-0001-0.**



For other load information, please contact EUTRAC



For other load information, please contact EUTRAC



**UL** US  
LISTED  
TRACK LIGHTING FITTING  
44WB

01.11.2010

Page **2/4**

# 432900

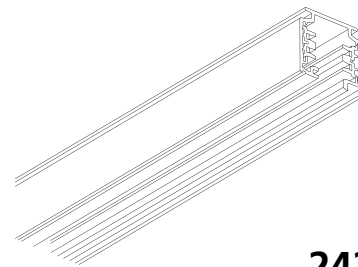
MT 6.085/9

• INSTALLATION INSTRUCTIONS •

Surface Track Standard and accessories

**EUTRAC® 2~**

2 Circuit ( 277V )  
Tracks and Adaptors  
[www.EUTRAC.com](http://www.EUTRAC.com)



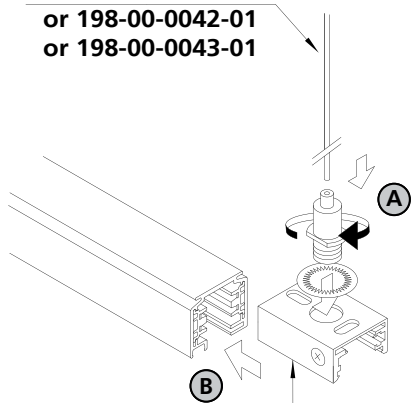
242 ...

3

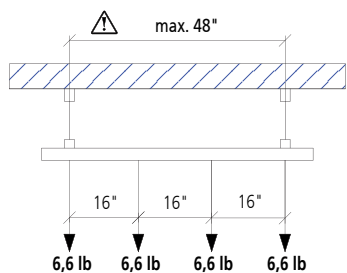
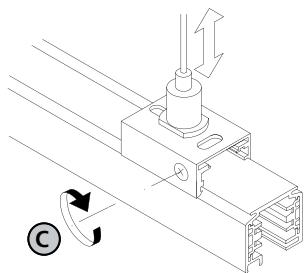
**optional**

- 198-00-0041-01
- 198-00-0042-01
- 198-00-0043-01

**198-00-0041-01**  
or **198-00-0042-01**  
or **198-00-0043-01**



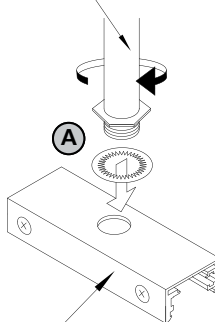
198-00-0001-0.



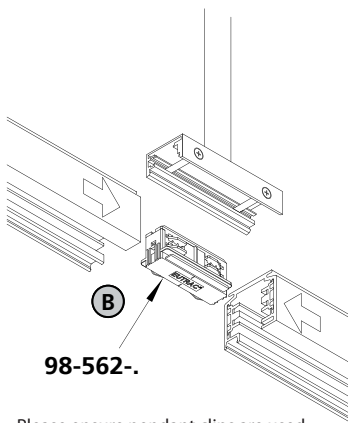
For other load information,  
please contact EUTRAC

4

198-00-0043-0.

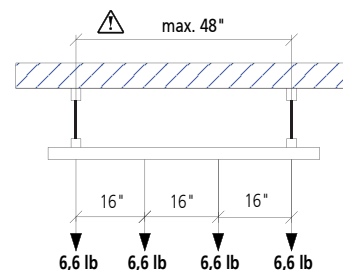
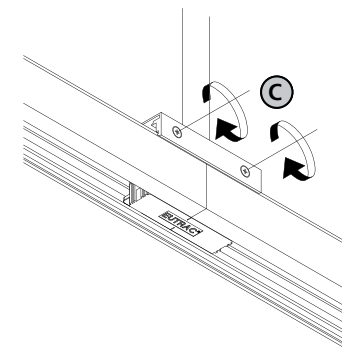


198-00-0002-0.

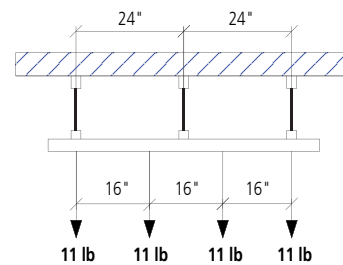


98-562-.

Please ensure pendant clips are used  
when connecting track sections.



For other load information,  
please contact EUTRAC



For other load information,  
please contact EUTRAC



UL  
LISTED  
TRACK LIGHTING FITTING  
44WB

01.11.2010

Page 3/4

# 432900

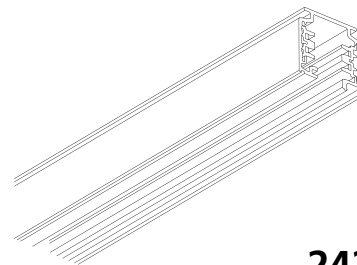
MT 6.085/9

• INSTALLATION INSTRUCTIONS •

Surface Track Standard and accessories

**EUTRAC® 2~**

2 Circuit ( 277V )  
Tracks and Adaptors  
[www.EUTRAC.com](http://www.EUTRAC.com)



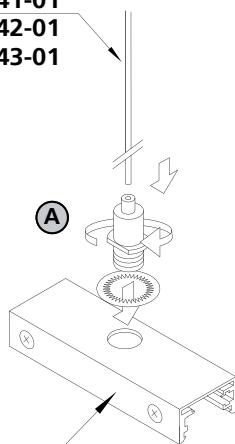
242 ...

5

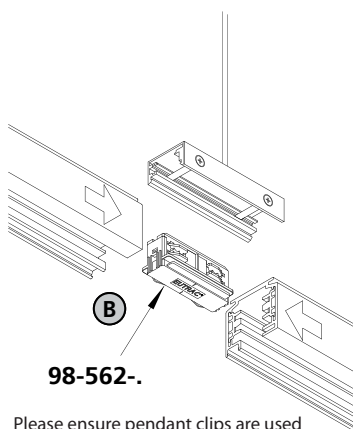
**optional**

- 198-00-0041-01
- 198-00-0042-01
- 198-00-0043-01

198-00-0041-01  
or 198-00-0042-01  
or 198-00-0043-01



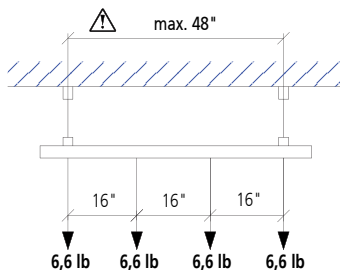
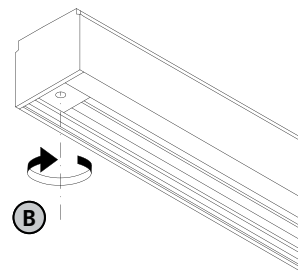
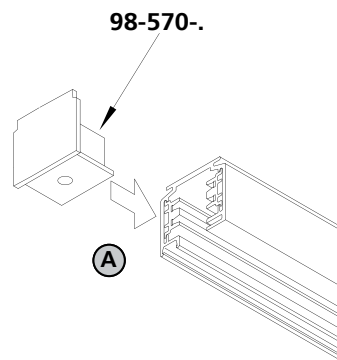
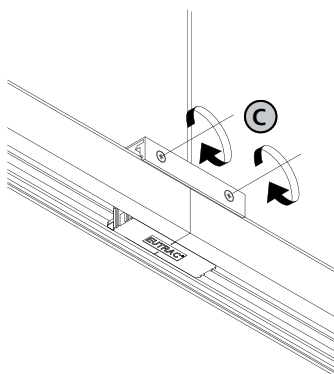
198-00-0002-0.



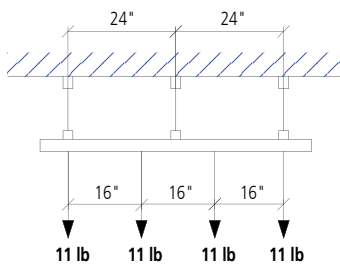
98-562-.

Please ensure pendant clips are used when connecting track sections.

6



For other load information, please contact EUTRAC



For other load information, please contact EUTRAC



UL US  
LISTED  
TRACK LIGHTING FITTING  
44WB

01.11.2010

Page 4/4

# 432900

MT 6.085/9