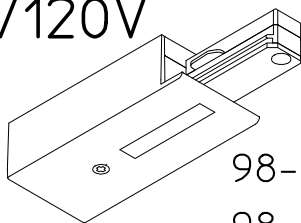


Installation Instructions

EUTRAC DALI
the intelligent track™
1~/120V



98-521-

98-520-

Live ends and couplers
with Bus-contact



INSTALLATION INSTRUCTIONS

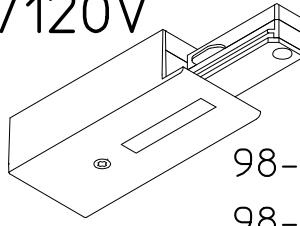
- READ ALL OF THESE INSTALLATION INSTRUCTIONS BEFORE INSTALLING THE EUTRAC TRACK SYSTEM.
- SAVE THESE INSTRUCTIONS AND REFER TO THEM WHEN ADDITIONS TO OR CHANGES IN THE TRACK CONFIGURATION ARE MADE.
- Fitting is only to be used with EUTRAC series 238 track system.
- To be installed by trained personnel only.
- It is the responsibility of the installer to ensure the electrical, mechanical and thermal compatibility of the track system and the fittings.
- Materials used for ceiling fixation should conform to relevant building regulations.
- It is essential to cover the ends of the track with end covers or protective caps.
- This track system is not intended for use with a power supply cord or convenience receptable adaptor.
- This track system is to be supplied by a single branch circuit.
- Track is not to be mounted by cables.

IMPORTANT SAFETY INSTRUCTIONS

- READ ALL INSTRUCTIONS.
- Do not install this track in damp or wet locations.
- Unless provision for field cutting, do not cut any track sections.
- Do not install any part of a track system less than 5 ft. above the floor.
- Do not install any fixture assembly closer than 6 inches from any curtain or similar combustible material.
- Disconnect electrical power before adding to or changing the configuration of the track.
- Do not attempt to energize anything other than lighting track fixtures on the track. To reduce the risk of fire and electrical shock, do not attempt to connect power tools, extension cords, appliances, and the like to the track.
- (For track lighting systems other than 120V, two-wire) Do not connect the track to more than one branch circuit unless the track is constructed so that it can be used with more than one branch circuit. Check with a qualified electrician. Although the track lighting system may seem to operate acceptably, a dangerous overload of the neutral may occur and result in a risk of fire.
- SAVE THESE INSTRUCTIONS.

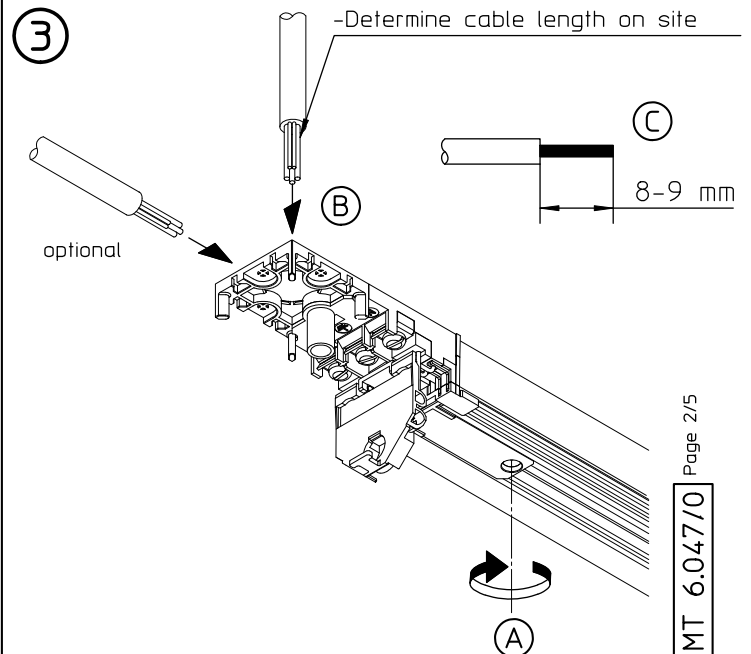
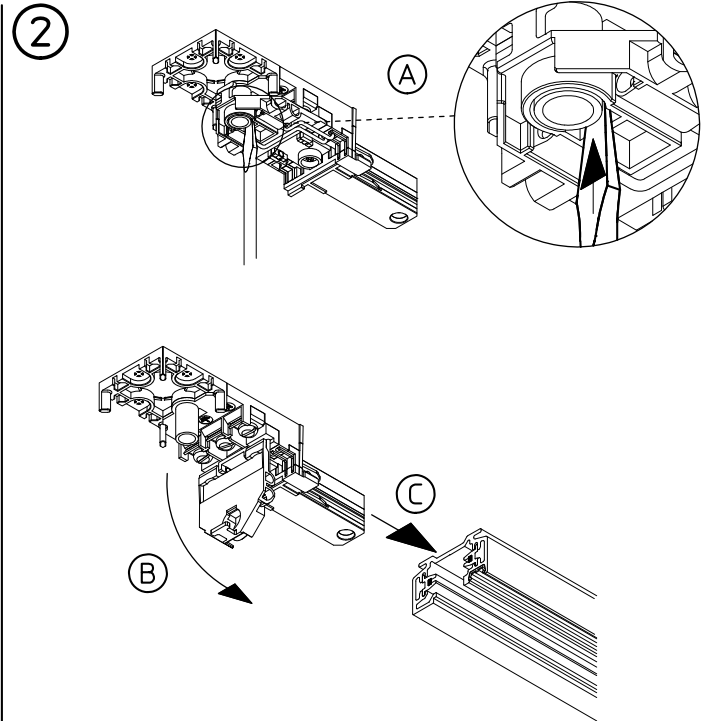
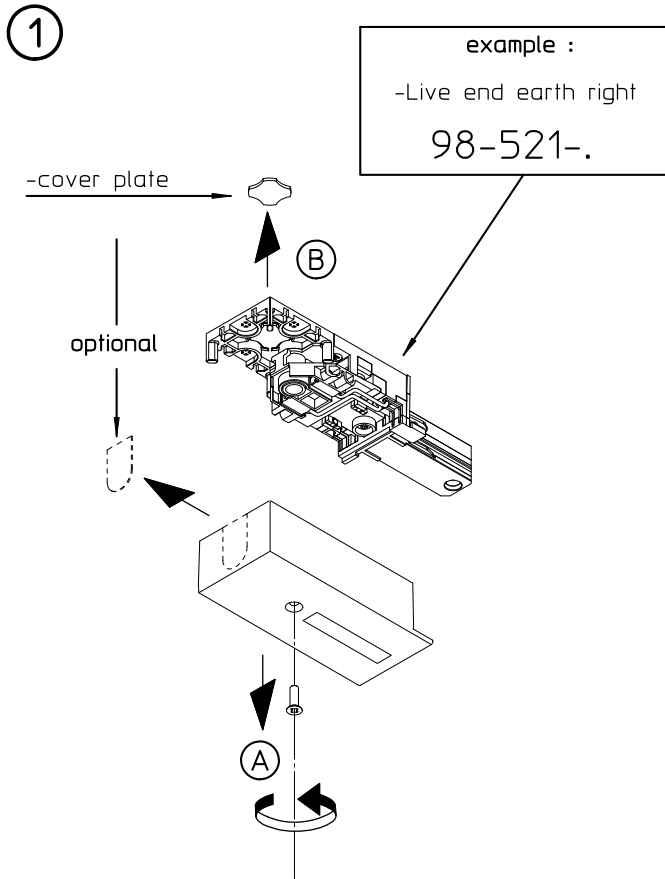
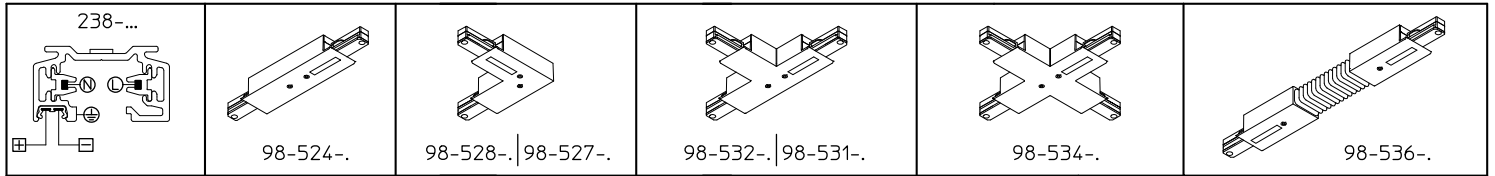
Installation Instructions

EUTRAC DALI
the intelligent track™
1~/120V



98-521-
98-520-

Live ends and couplers
with Bus-contact



Feed from the top:
-The cover plate has to be broken off.

optional:

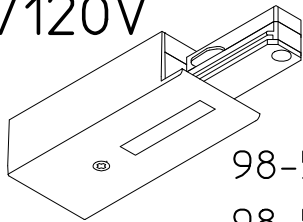
Feed from the side:
-The end cap can be cut off.

After cutting do remove burrs

Installation Instructions

EUTRAC DALI
the intelligent track™
1~/120V

Live ends and couplers
with Bus-contact



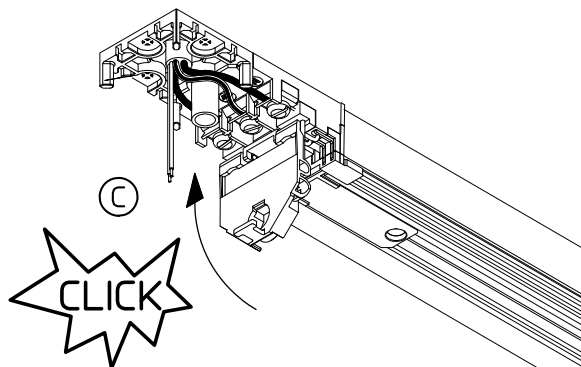
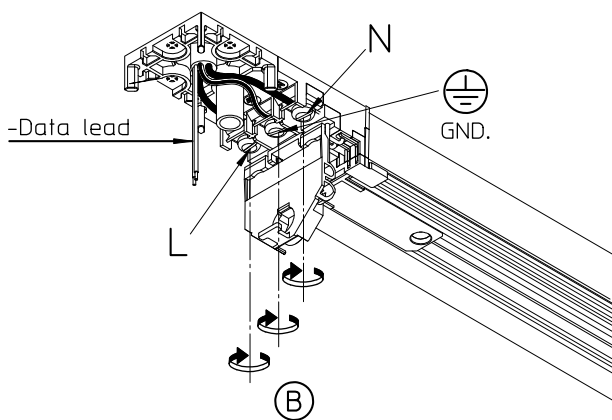
98-521-

98-520-

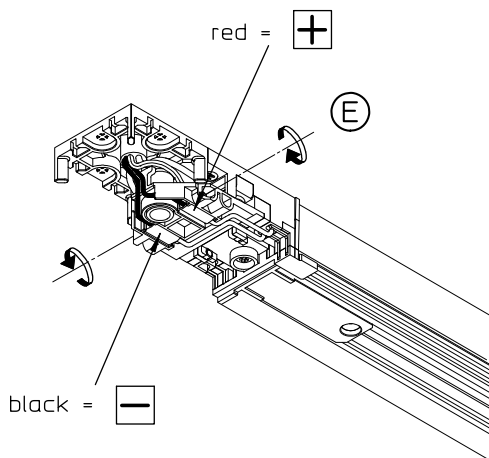


4

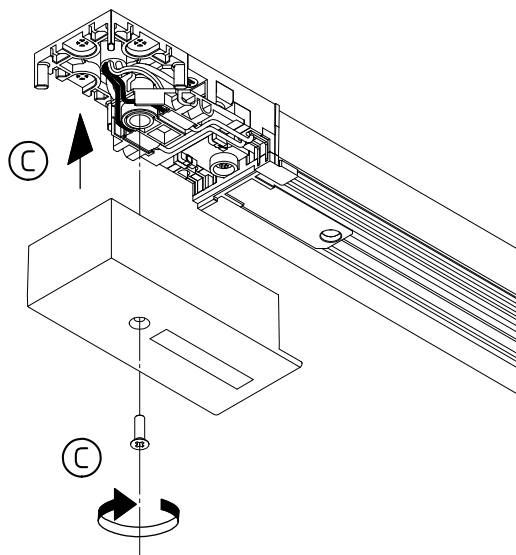
A -connect supply cable



D -connect data lead

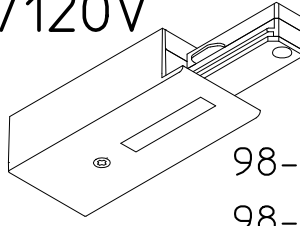


5



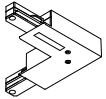
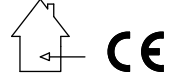
Installation Instructions

EUTRAC DALI the intelligent track™ 1~/120V



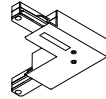
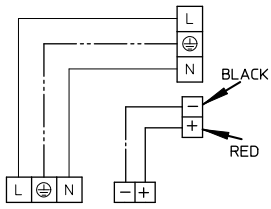
98-521-
98-520-

Live ends and couplers
with Bus-contact



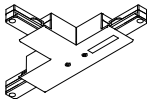
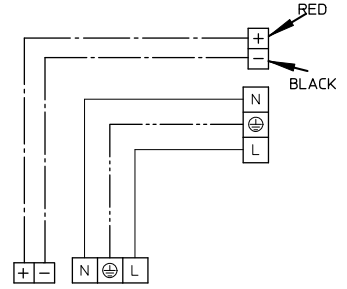
98-528-

-Earth connect inside



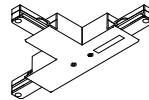
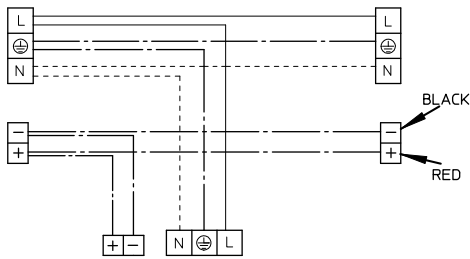
98-527-

-Earth connect outside



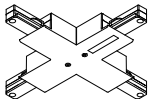
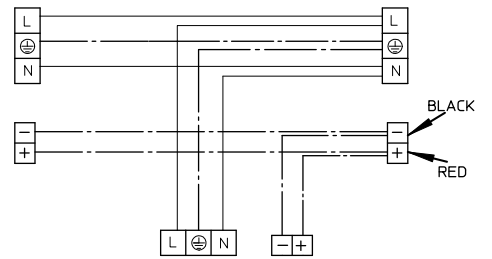
98-531-

-Earth connect left

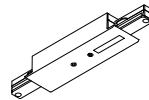
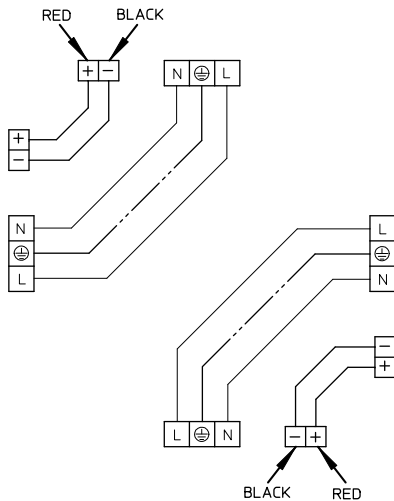


98-532-

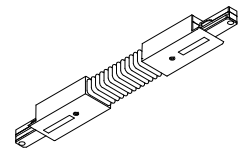
-Earth connect right



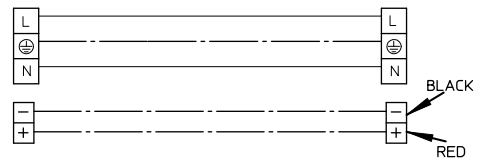
98-534-



98-524-



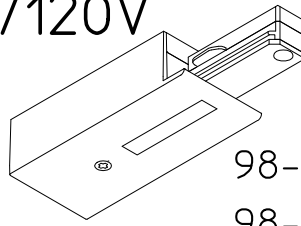
98-536-



Installation Instructions

EUTRAC | DALI
the intelligent track™

1~/120V



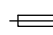

98-521-.

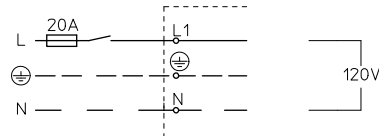
98-520-.

Live ends and couplers
with Bus-contact



120V
 $P_{max.} = 2400 \text{ W}$

 = 1 x 20A
 = 3 x AWG 12



ATTENTION:
Data lead max. 20V 250 mA

- Standard DALI control systems may only be used if they fulfill SELV (Safety-Extra-Low-Voltage) requirements.
If not use a SELV safety component.
Data line (maximum) 2 x AWG 218

EUTRAC / DALI control system permissible