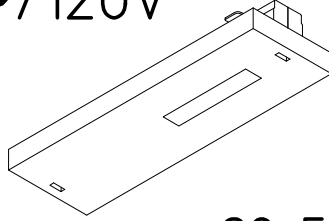


Installation Instructions

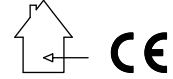
EUTRAC®

1~/120V



98-537-.

Mid Feed Standard



INSTALLATION INSTRUCTIONS

- READ ALL OF THESE INSTALLATION INSTRUCTIONS BEFORE INSTALLING THE EUTRAC TRACK SYSTEM.
- SAVE THESE INSTRUCTIONS AND REFER TO THEM WHEN ADDITIONS TO OR CHANGES IN THE TRACK CONFIGURATION ARE MADE.
- Fitting is only to be used with EUTRAC series 235 track system.
- To be installed by trained personnel only.
- It is the responsibility of the installer to ensure the electrical, mechanical and thermal compatibility of the track system and the fittings.
- Materials used for ceiling fixation should conform to relevant building regulations.
- It is essential to cover the ends of the track with end covers or protective caps.
- This track system is not intended for use with a power supply cord or convenience receptacle adaptor.
- This track system is to be supplied by a single branch circuit.
- Track is not to be mounted by cables.

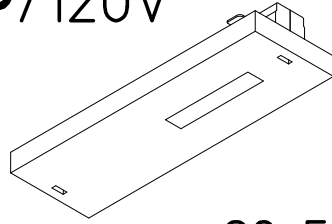
IMPORTANT SAFETY INSTRUCTIONS

- READ ALL INSTRUCTIONS.
- Do not install this track in damp or wet locations.
- Unless provision for field cutting, do not cut any track sections.
- Do not install any part of a track system less than 5 ft. above the floor.
- Do not install any fixture assembly closer than 6 inches from any curtain or similar combustible material.
- Disconnect electrical power before adding to or changing the configuration of the track.
- Do not attempt to energize anything other than lighting track fixtures on the track. To reduce the risk of fire and electrical shock, do not attempt to connect power tools, extension cords, appliances, and the like to the track.
- (For track lighting systems other than 120V, two-wire) Do not connect the track to more than one branch circuit unless the track is constructed so that it can be used with more than one branch circuit. Check with a qualified electrician. Although the track lighting system may seem to operate acceptably, a dangerous overload of the neutral may occur and result in a risk of fire.
- SAVE THESE INSTRUCTIONS.

Installation Instructions

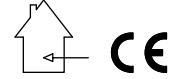
EUTRAC®

1~/120V

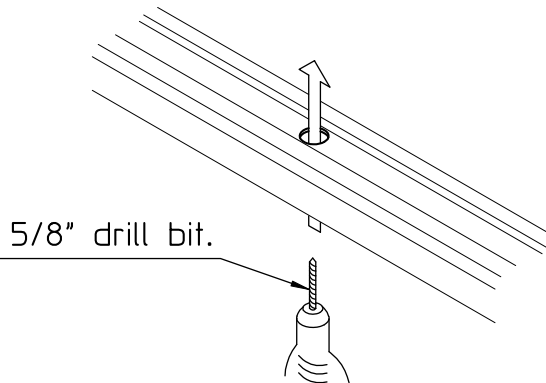


98-537-.

Mid Feed Standard

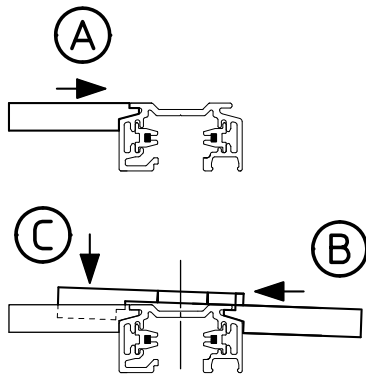


- ① -The Mid Feed can be installed in any position on surface-mounted track.

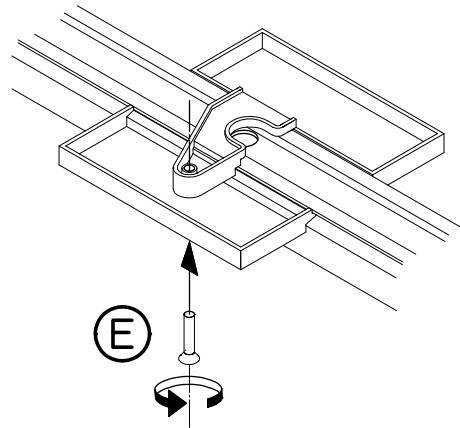
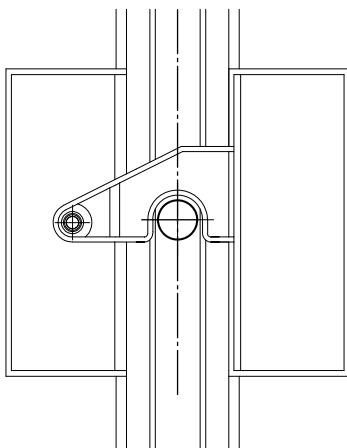


- Drill hole for feed point provided on site.
- After drilling do remove burrs !

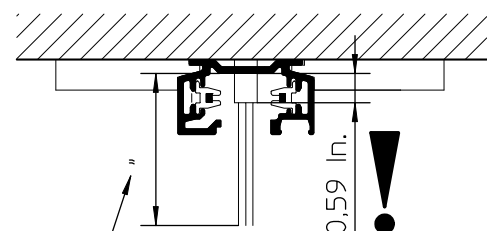
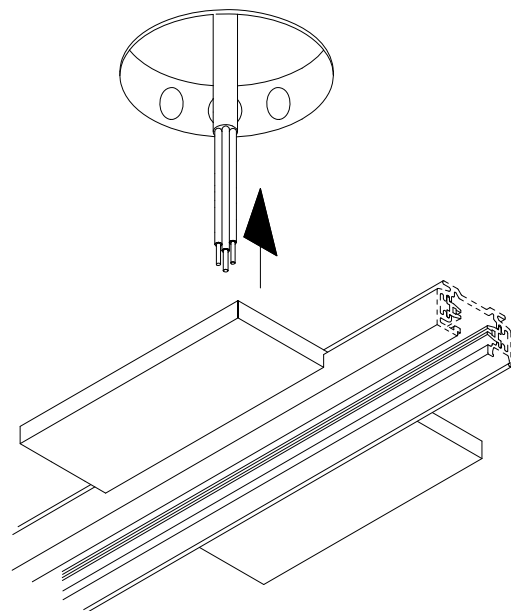
- ② -Mount the the Mid Feed Canopy .
Article number -198 60 0001



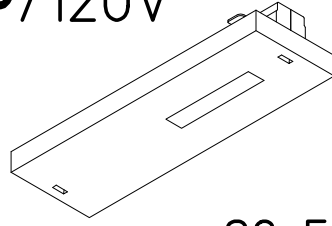
- ④ -Slide the canopy so that the bracket cutout covers around the 5/8" drilled hole.



- ③ -Feed the power line wires through the track.
-Concurrently mount the track by referring the Instructions provided with the track.

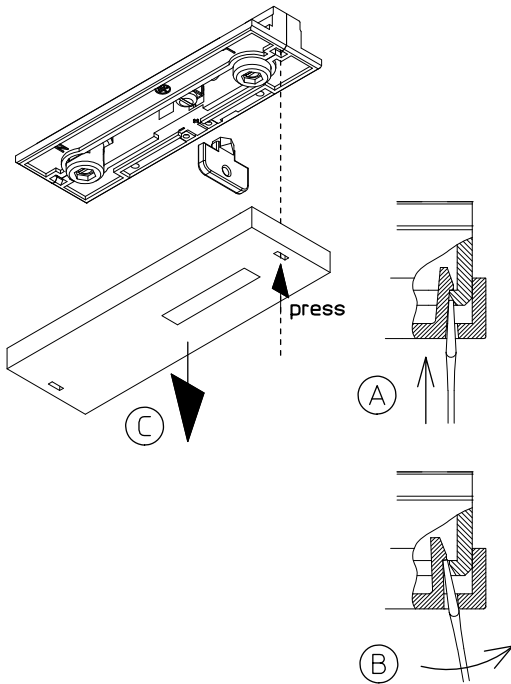


- Determine length of supply cable on site.



4

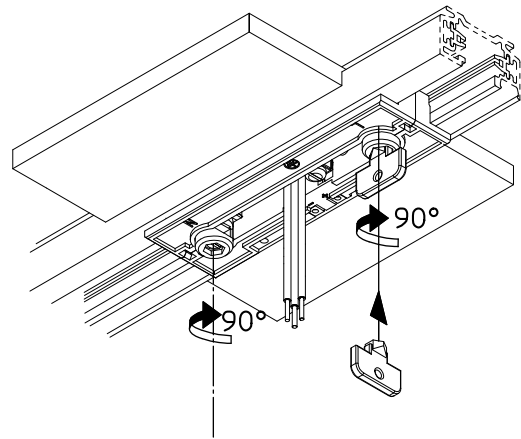
-Before mounting, press in the catch using a screw driver and remove the cover.



6

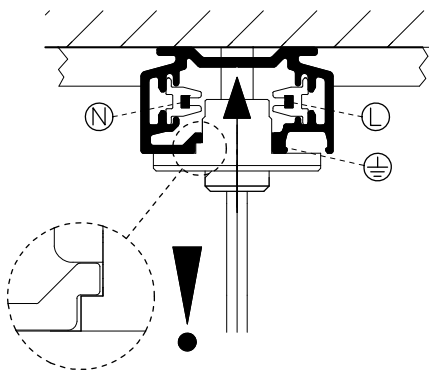
-Mechanical fixation

-Using the enclosed hexagonal head-spanner, turn all contact screws in the direction indicated by the arrows.



5

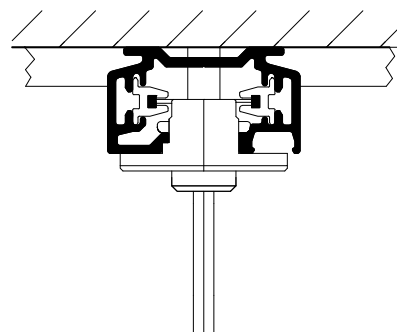
-Having removed the cover, insert the mid feed into the track at the prepared position and feed the power line wires through the connector hole.



Note :

The EUTRAC mid feed only fits into the EUTRAC-Track 235...

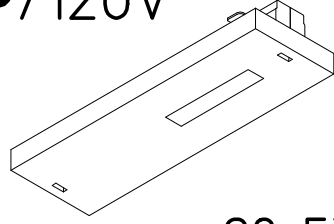
-When the feeder unit has been fixed into place, the individual phases and earth conductor can be wired.
See Installation on Page 4/4



Installation Instructions

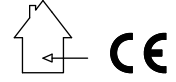
EUTRAC®

1~/120V

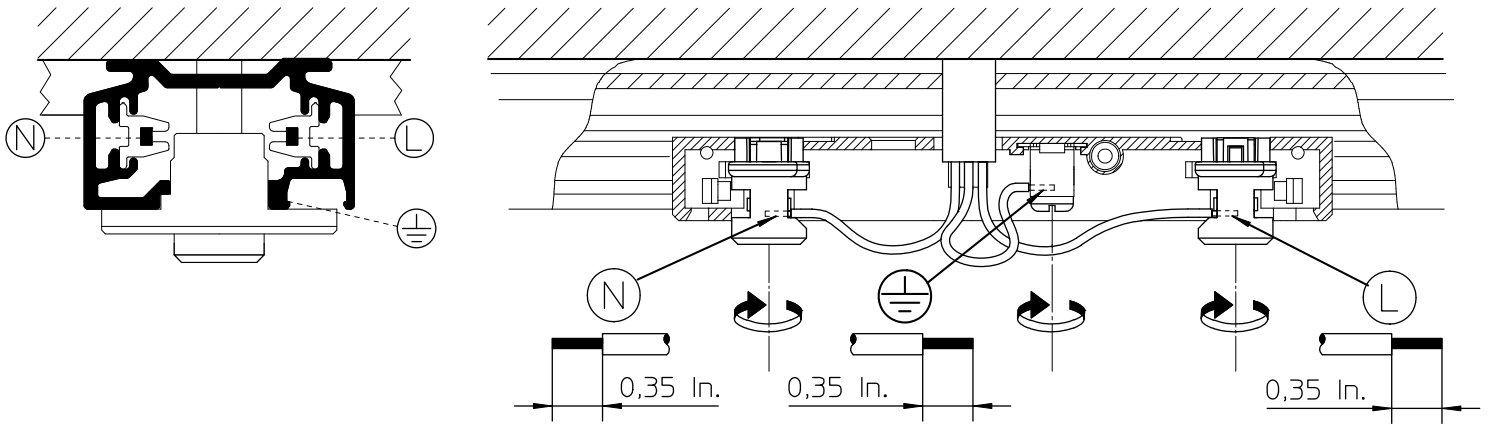


98-537-.

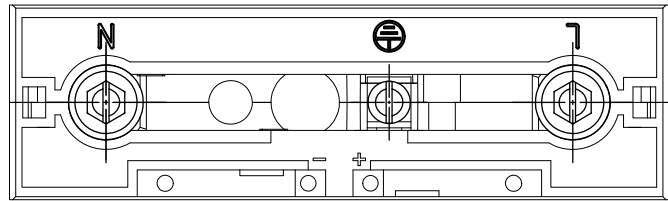
Mid Feed Standard



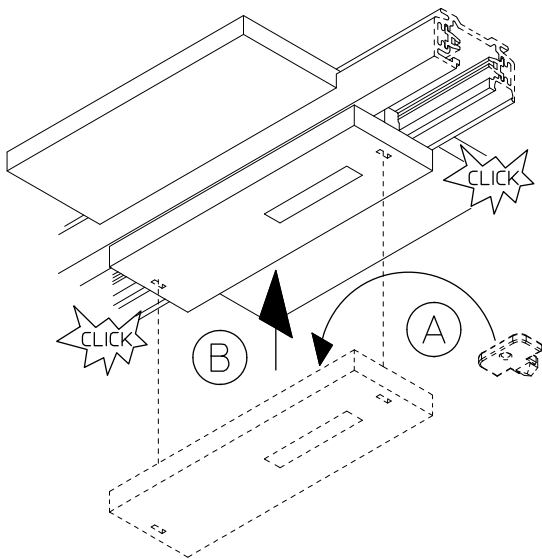
7 Electrical connecting



-Customice length of single conductors



8



120V
 $P_{max.} = 2400 \text{ W}$
 = 1 x 20A
 Ø = 3 x 12 AWG

