

99-762-Multi Adapter DMX Terminator

2~, 120V for use on 233 series track

98-594-Multi Adapter DMX Terminator

1~, 120V for use on 238 series track

Material: Terminator is fabricated of self extinguishing polycarbonate accordingly to UL 94, class VO. (Color to match track)

Design: Removable cover is secured with two fasteners that provide access the the 120 Ohm resistor which terminates the DMX lane. Adapter is equipped with reverse polarity protection. This part ia an adapter without any contacts for main voltage.

Mechansim: Double locking mechanisms provide maximum ability for securing to track.

Data Bus: Unit is equipped with gold PCB pins (2) for the connection to the Data Bus along the track.



99-762-1: DMX Terminator mounted to 233 ceiling mounted track.



99-762-1: See gold pins that travel along the Data Bus channel.

This information is subject to change without notice.

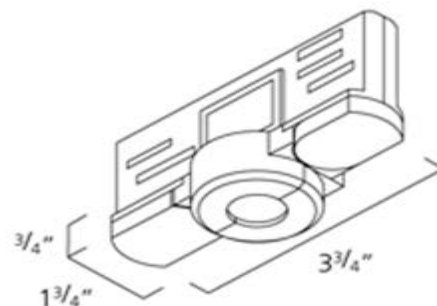
98-594-Multi Adapter DMX Terminator

1~, 120V for use on 238 series ceiling track

The 1~ terminator is equal in material, design and function as the 2~ terminator with the exception of height.

The height corresponds with the lower profile of the 1~ track.

DMX Terminator: Terminator can be installed on ceiling mouted track, recessed or suspended profile.



Do not slide Light Fixtures along track when re-locating. Always remove fixture/adapter from track. Re-install in new location making sure to properly secure adapter back in track.

