

LED converter LC4CA

Item no.: 98-453-0 / 4 Chanel universal

98-454-0 / RGBW DALI 209
standard (on request)

4 channel control via DALI or DMX/RDM



Technical Manual:

LED control converter with 4 outputs (RGBW/RGBA) for 12-48 VDC voltage PWM output. Control via DALI or DMX / RDM signal. Fully compliant for RDM addressing. Comes in standard Din Rail Case.

Application:

4 PWM-controlled constant-voltage outputs 12-48 VDC, max. 2A each channel.

DALI control with NetComposer

98-453-0 DALI Standard LED module, occupies 4 DALI addresses (IEC 62386206)

98-454-0 DALI Colour Control Device, occupies 1 DALI address (IEC 62386-209)

DMX/RDM control with NetComposer

DMX/RDM uses separate 4 channels

Status LED for easy diagnosis

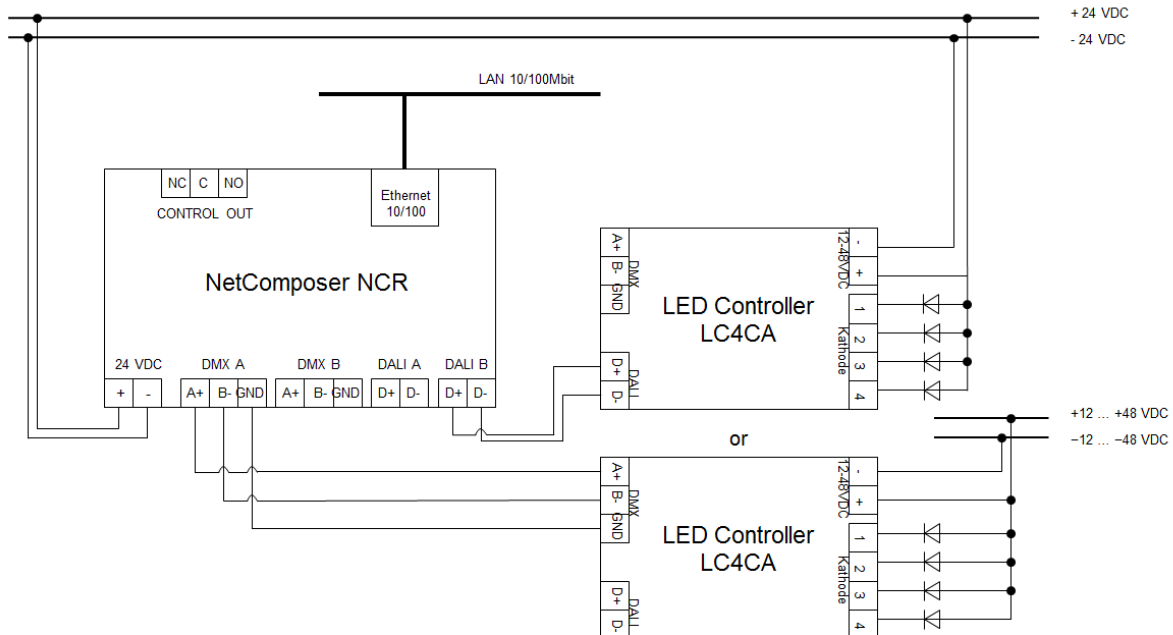
DMX start address setting with any RDM device or NetComposer

Preconfiguration by lighting manufacturers possible

The power supply must be selected that it fits to the application / luminaire.

Note: the complete LED lamp including ballast has to pass a separate EMC test by the lighting manufacturer!

Wiring diagram:



Mounting and installation instructions:

- The DALI output is compliant with the DALI standard. The corresponding specification of the DALI commands can be found in IEC 60929 (in the future: IEC 62386) and can be obtained from your local IEC member
- Max. cable length to the LED board 30 cm
- The max. permissible length of the DALI control line is 300 m 2x1, 5 mm² (984.25 ft 2x2.33 sq in)
- The electrical installation of DALI/DMX control cable and power supply must be designed as class III (SELV)
- The DMX channel is compliant with the standard DIN 56930-2 and USITT DMX512A/2008 and fully RDM compliant
- Layout and wiring of DMX channel must be carried out in compliance with standards

Technical Data :

Dimensions:	2xTE á 17,5 mm (.69 inch) 29x87x10 mm
Weight:	50 g (.11 lbs)
Permissible ambient temperature:	0 ... +50°C
Interface:	1xDALI or. 1xDMX/RDM
Outputs:	4x12-48 VDC
Input Voltage:	12-48 VDC
EMC according to:	EN55015, EN 61000-3-2

For more information about NetComposer System have a look to:
www.intelligentlighting.de

Datenblätter in Deutsch und weitere Informationen finden Sie auf:
www.intelligentlighting.de