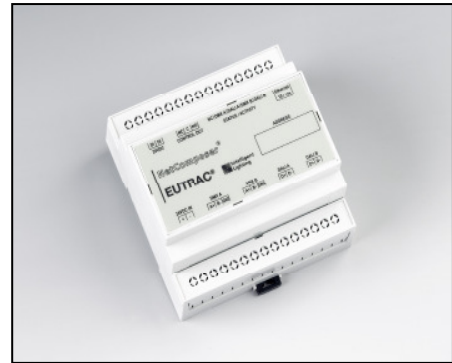


## NetComposer LAN 1 port

Item no.: 558 3 0012 0

**Digital network lighting control device with intelligent scene management and time switching program. Setup for installation in a DIN rail system housing. Standard Ethernet 10/100 Mbit network RJ45 connection. Lighting control systems: 1x DALI or 1x DMX**



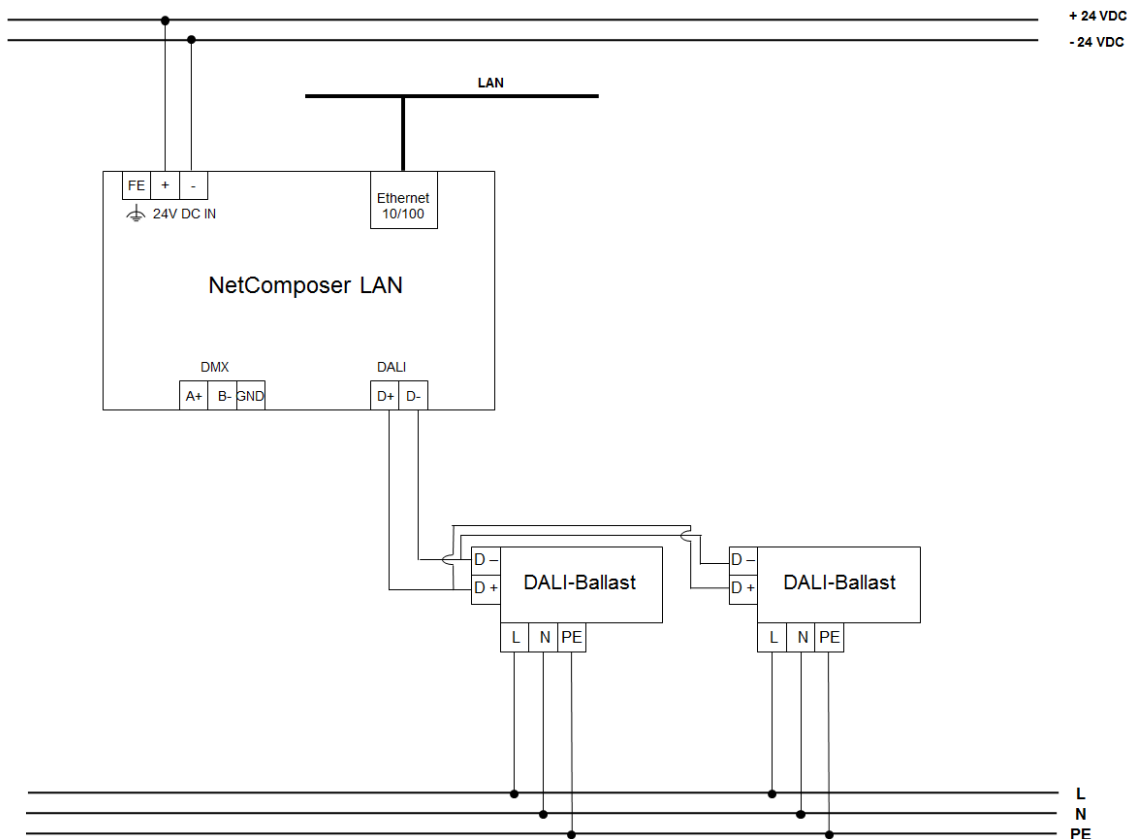
### NetComposer System:

The NetComposer system is suitable for most ranges of applications which need a reliable and energy-efficient light control. The range of applications goes from the classical light management, dynamic architecture lighting (Architainment) up to event LED lighting installations which are realtime controlled by a mediaserver. Real highlights are the use of the intuitive Composer configuration software and the intelligent light scene management on the network which works with or without central PC. With the state of the art LightingTab App devices like iPhone, iPad, iPod Touch or Window's Tablets are fully integrated into the NetComposer system. There is also a wide range of accessories like digital in- and output modules, light sensors and graphic project visualization software.

### Highlights:

- Simple, intuitive, graphical user interface with integrated lighting mixer console
- Control of 64 DALI devices or 512 DMX channels
- Up to 254 NetComposer with 16.256 DALI devices or 130.048 DMX channels in one network
- Full RDM support (addressing and discovery) for bidirectional DMX operation
- Operating modes: Standalone, network with or without PC, mediaserver operation / realtime DMX
- Intelligent light scenes and light group management with global and local functionality
- 128 global light scenes and 128 global light groups with graphic or spreadsheet operation
- Light scenes can be created directly and stored without group assignment
- Spreadsheets for scene and group table, with copy and Live View function
- Time switching program with astronomical clock for energy-efficient scene call with daylight exploitation
- Calendar time schedule configuration for each single day of the year possible
- Automatic and manual addressing as well as multiple addressing (X-DALI) is possible
- Offline lighting designer tool with power calculation, export/import-function with plausibility check
- Safe shutdown in case of power failure with permanent measurement of the voltage
- Selectable start-up behavior: Last active value, certain value, scene, sequence or last sequence
- Graphic colour control for DALI and DMX (RGB/RGBW), Ambiance Mixer for mixing 2 light colors
- Graphical controls for DALI and DMX moving head lights (Moving Lights)
- Support of the DALI standards Colorcontrol (209) and Optical Controls (211) with one DALI address only
- Graphical adjustment of the DALI constant light control with presence detection (Multi Master Sensor)
- 32 sequences (CUE's) with up to 128 steps, thereof one sequence can be constantly active with or without loop
- 200 Logic Links (Conditions) for easy functional links
- Storage of LightingTab settings in the NetComposer for the control with Apple- or Windows-App
- Plug-in flash memory for sequences and configuration (included in delivery)
- Channel type extension for better overview of the connected lights
- Password protected Edit Mode for all security-relevant parameters
- Standard Ethernet network connection 10/100Mbit for service, start-up and firmware update
- Open network protocol (UDP ASCII clear text) for system integration / connection to BMS systems
- ArtNet / sACN support via optional Mediaserver-Gateway Pixel:Performer

## Wiring diagram:



### Mounting and installation instructions:

- Composer Software is optimized for Windows 7
- IP-range: 192:168: XXX: XXX (DHCP on request)  
Factory setting (IP): 192:168:1:89  
Fixed subnet: 255.255.255.0
- Communication: open UDP ASCII protocol
- Installation in housings with 35 mm rail
- The DALI output is compliant with the DALI standard. The corresponding specification of the DALI commands can be found in IEC 60929 (in the future: IEC 62386) and can be obtained from your local IEC member
- The max. permissible length of the DALI control line is 300 m 2x1,5 mm<sup>2</sup> (984.25 ft 2x2.33 sq in)
- The electrical installation of the DALI control line must be run as a functional extra low voltage installation
- The DMX channel is compliant with the standard DIN 56930-2 and USITT DMX512A/2008
- Layout and wiring of DMX channel must be carried out in compliance with standards

DALI-devices (LightMotionSensors and TrackLinkButton's) can be connected on each DALI-line. The maximum current per line should not exceed 200 mA. The current consumption of connected DALI-devices refer to the appropriate data sheets from the manufacturers.

### Technical Data:

Dimensions:	5TE á 17,5 mm, 87,5x90x58 mm
Weight:	ca. 140 g (.31 lbs)
Ambient temperature:	0 ... +40°C (32 ... 104°F)
Ambient humidity:	0-80% non-condensing
Interface:	Ethernet 10/100 Mbit
Mounting:	on 35 mm (1.38 in) DIN rail according to EN 50022
Outputs:	1xDALI or 1xDMX/RDM (512 channels)
DALI power supply:	I <sub>max</sub> : 200 mA
Relays output:	potential free switching contact max switching voltage: 30 V
Input voltage:	24 VDC / 630 mA (±10 %)
Housing material:	PC hardly inflammable
Protection:	IP20
Certification:	CE
EMC according to:	EN55015, EN 61000-3-2

For system manual / user guide and software downloads see :  
[www.intelligentlighting.de](http://www.intelligentlighting.de)