

## GlassTouch TLX-6 (TLX-12)

	Item no.:
TLX-6 (white)	558 2 0001 1
TLX-6 (black)	558 2 0001 2
TLX-12 (white)	558 2 0002 1
TLX-12 (black)	558 2 0002 2

**Six- or twelvefold capacitive sensor keypad for wall mounted switching boxes for driving DALI- / DMX-devices**



### Technical Manual:

GlassTouch TLX-6 (TLX-12) is a modern control unit for the NetComposer-System. It is suitable for design-oriented users with highest standards for function and comfort.

TLX-6 (TLX-12) has six (twelve) touch buttons which are placed behind a 5mm glass plate. Each button is assignable to the NetComposer with several commands and switching options operated by single press, toggle or short/long press. The control unit has a backlight (TouchGlow) in neutral white which can be turned on/off and dimmed.

The GlassTouch surface can be designed on customer demand. The symbols, text and background images can be easily printed on a foil or paper and placed behind the glass plate through a slot and sealed.

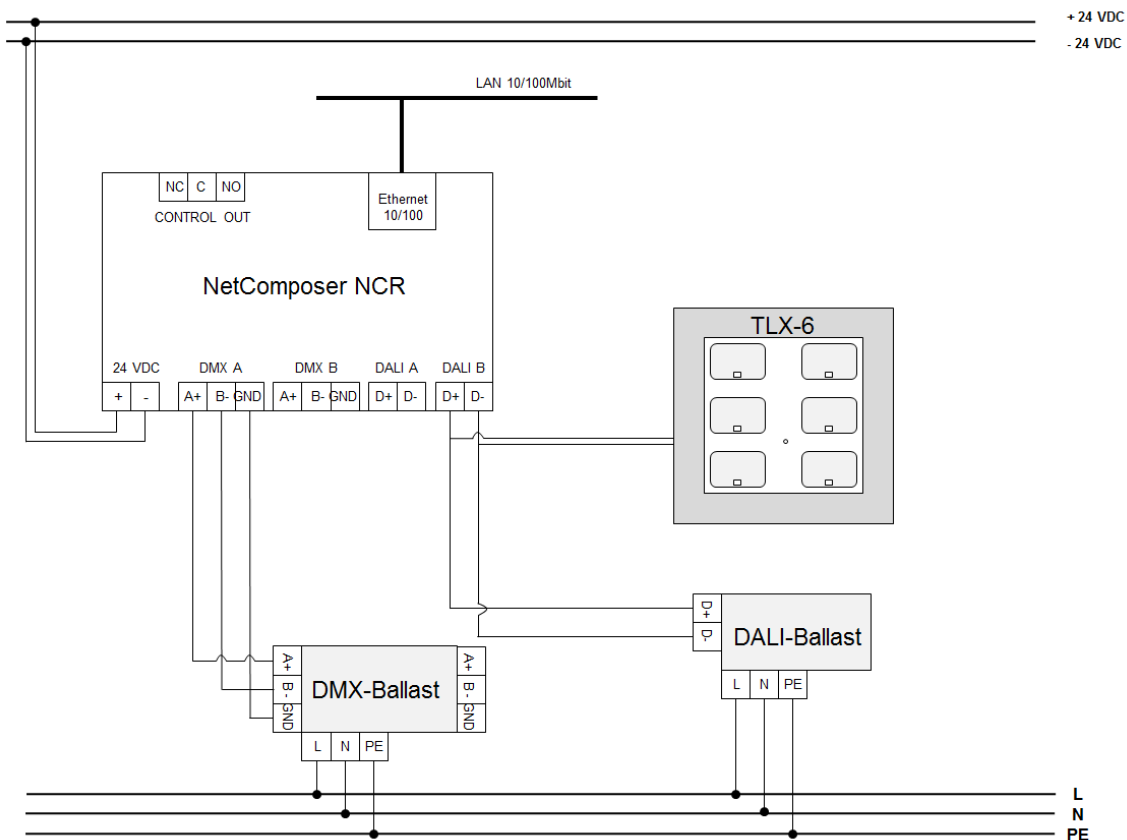
### Note:

GlassTouch works for the NetComposer 2.2 (Item no.: 98-404-0), the NetComposer 3.0 (Item no.: 558 3 00xx 0), firmware 9.7.6/9.3 and higher.

### Application:

The TLX-6 (TLX-12) is designed for indoor use. Installation on wall mounted switching boxes. Up to 10 GlassTouch devices are connectable to the DALI-line. The number of GlassTouch devices on DALI-line depends on power supply of the attached devices and the use of the TouchGlow.

## Wiring diagram:



### Mounting and installation instructions:

- Installation on (two) wall mounted switching boxes (TLX12)
- The DALI – Interface is compatible to the DALI standard. The corresponding specification of the DALI commands can be found in IEC 60929 (in the future: IEC 62386) and can be obtained from your local IEC member
- The max. permissible length of the DALI control line is 300 m 2x1, 5 mm<sup>2</sup> (984 ft 2x2.33 sq in)
- The electrical installation of the DALI control line must be run as a functional extra low voltage installation

### Technical Data:

Dimensions:	90x90(160)x16,9 mm
Weight:	ca. 130 g / ca. 250 g
Ambient temperature:	-10 ... +40 °C
Ambient humidity:	0-80% non-condensing
Interface:	DALI
Mounting:	fixed Installation; Interior
DALI power supply:	ca. 30 mA
Protection:	IP20
Certification:	CE
Frame:	black, white

For system manual / user guide and software downloads see :  
[www.intelligentlighting.de](http://www.intelligentlighting.de)

## Mounting:

- Create your customized GlassTouch labeling with GlassTouch Print
- Print them out on paper / film
- Push aside the plastic tab on the back of the touch panel
- Insert your customized GlassTouch labeling into the slot at the top of a GlassTouch
- Carefully remove the mounting plate from the GlassTouch
- Connect the DALI lines
- Attach the mounting plate to the wall mounted switching box with the screws
- Note: The GlassTouch needs to lie flat on the wall. Otherwise it won't work properly!
- Carefully stick together the GlassTouch with the mounting plate
- To lock, push the plastic slide on the side
- Address and program the GlassTouch (see NetComposer manual)

The installation is completed.

## Servicing:

- To unlock, use a small screwdriver (see sketch)

