

198-60-0006: 2~ Feed Cover

198-60-0007: 1~ Feed Cover

For use with 120V / 277V ceiling track

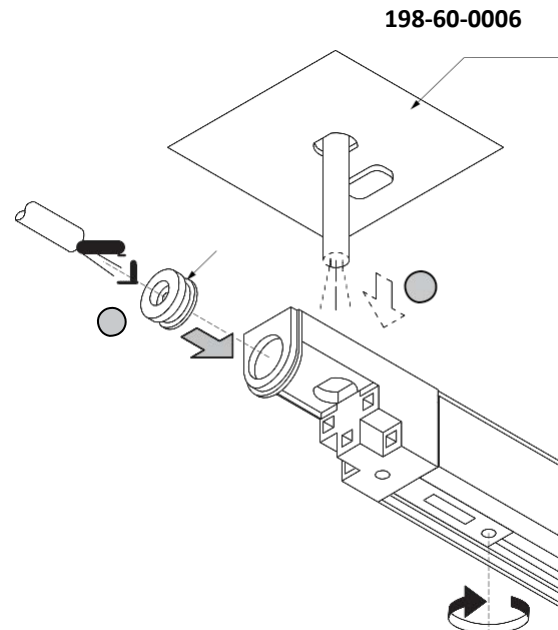
Specifications:

Feed covers are installed when the power supply comes through the ceiling through the bottom of the live end feed. Cover is fabricated of a form of Lexan 1.5 mm thick.

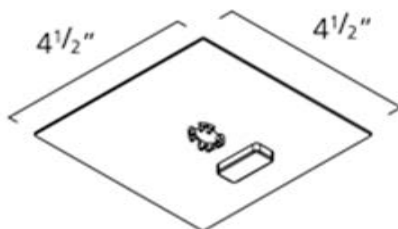
Cover provides a smooth installation of wires from the ceiling into the end feed.

Feed cover is not required when power is being fed through the back of the end feed.

Colors: 01: White, 02: Black, 03: Silver



198-60-0006-02: 2~ Feed Cover



Overall Size:

4 1/2" x 4 1/2"

(114mm x 114mm)

This information is subject to change without notice.

Cover is provided with opening for lead passage, with integral flanges for engagement of live end feed. The raised tabs on the feed cover acts as a stop for the end feed that prevents the unit from moving forward when wiring and assembling unit to track.

