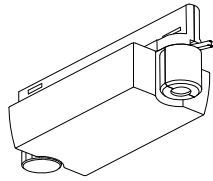


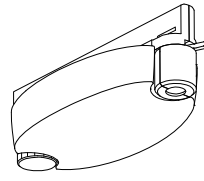
Installation Instructions

EUTRAC®

2~ / 277V



98-573-.



98-582-.

MultiCompactAdaptor

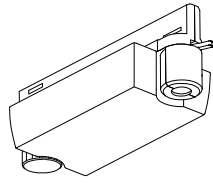


INSTALLATION INSTRUCTIONS

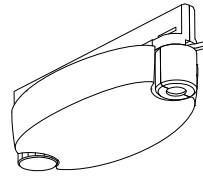
- READ ALL OF THESE INSTALLATION INSTRUCTIONS BEFORE INSTALLING THE EUTRAC TRACK SYSTEM.
- SAVE THESE INSTRUCTIONS AND REFER TO THEM WHEN ADDITIONS TO OR CHANGES IN THE TRACK CONFIGURATION ARE MADE.
- Fitting is only to be used with EUTRAC series 242 track system.
- To be installed by trained personnel only.
- It is the responsibility of the installer to ensure the electrical, mechanical and thermal compatibility of the track system and the fittings.
- Materials used for ceiling fixation should conform to relevant building regulations.
- It is essential to cover the ends of the track with end covers or protective caps.
- This track system is not intended for use with a power supply cord or convenience receptacle adaptor.
- This track system is to be supplied by a single branch circuit.
- Track is not to be mounted by cables.

IMPORTANT SAFETY INSTRUCTIONS

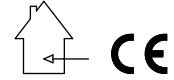
- READ ALL INSTRUCTIONS.
- Do not install this track in damp or wet locations.
- Unless provision for field cutting, do not cut any track sections.
- Do not install any part of a track system less than 5 ft. above the floor.
- Do not install any fixture assembly closer than 6 inches from any curtain or similar combustible material.
- Disconnect electrical power before adding to or changing the configuration of the track.
- Do not attempt to energize anything other than lighting track fixtures on the track. To reduce the risk of fire and electrical shock, do not attempt to connect power tools, extension cords, appliances, and the like to the track.
- (For track lighting systems other than 120V, two-wire) Do not connect the track to more than one branch circuit unless the track is constructed so that it can be used with more than one branch circuit. Check with a qualified electrician. Although the track lighting system may seem to operate acceptably, a dangerous overload of the neutral may occur and result in a risk of fire.
- SAVE THESE INSTRUCTIONS.



98-573-.



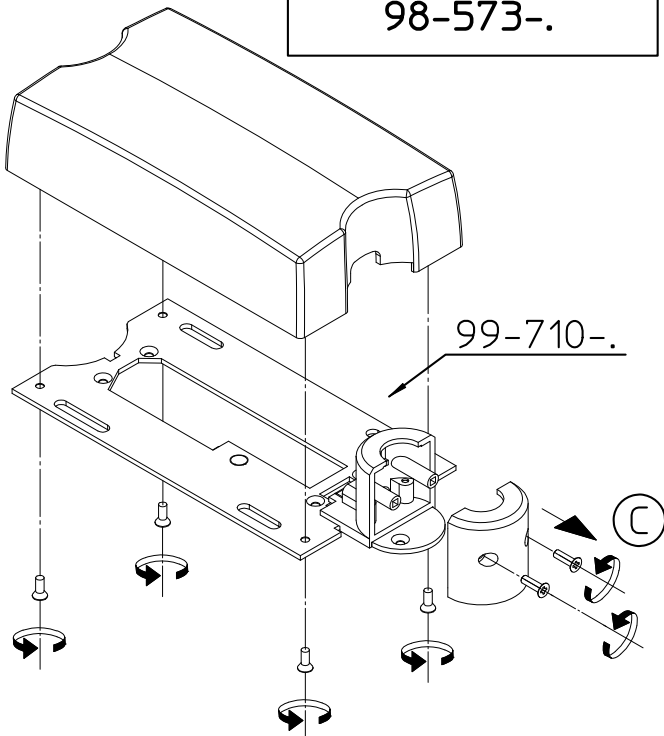
98-582-.



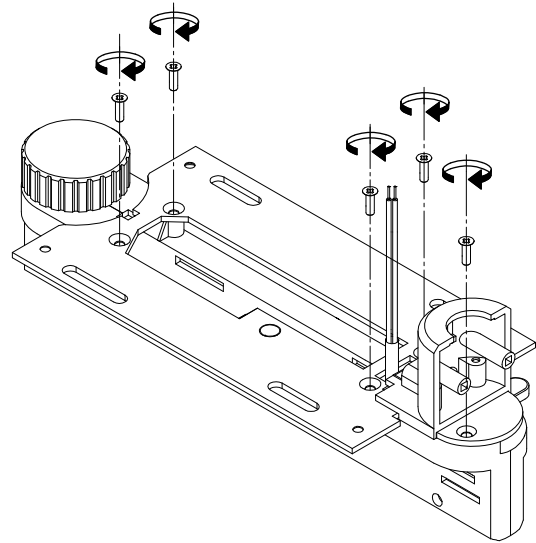
①

-Example: Multi-compact adaptor

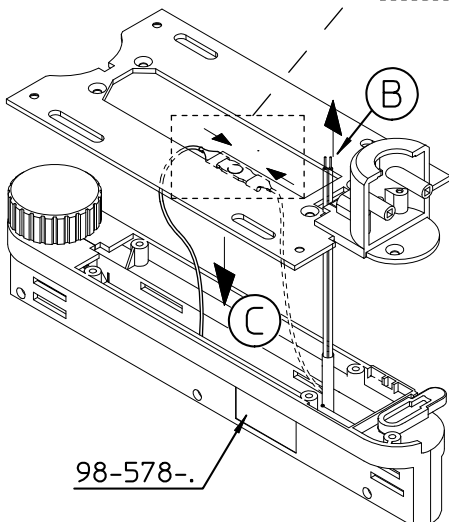
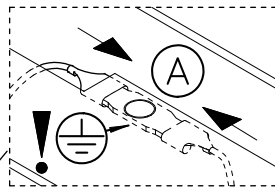
98-573-.



③



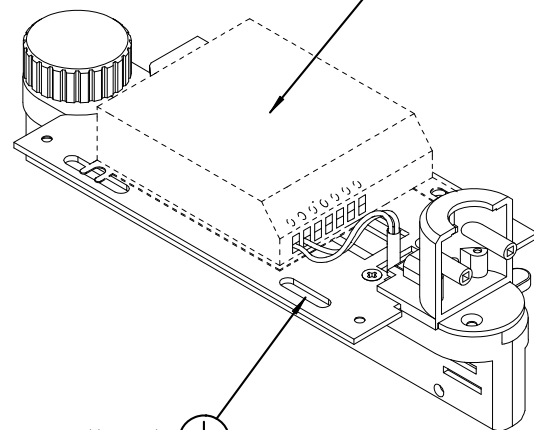
②



98-578-.

④

-Possible to install different electronic ballasts



optional



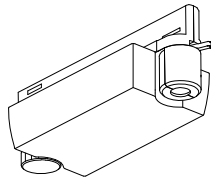
-connection

Installation Instructions

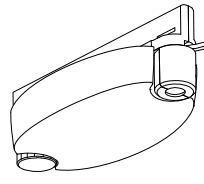
EUTRAC®

2~ /277V

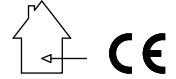
MultiCompactAdaptor



98-573-.



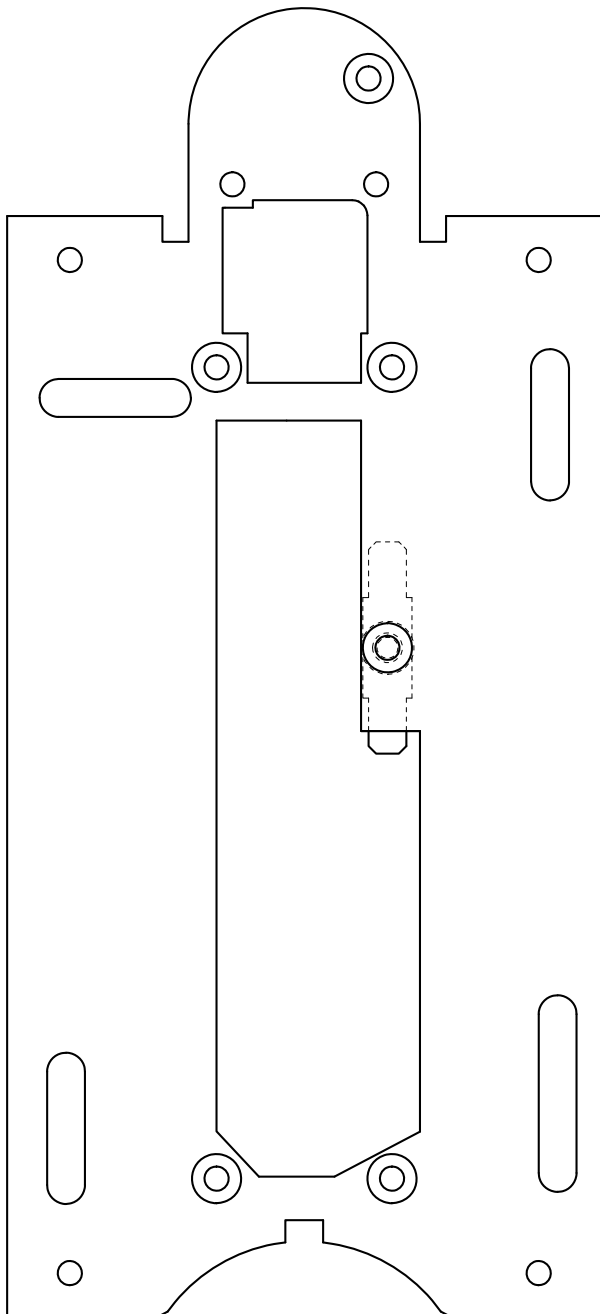
98-582-.



-Mounting plate for different
electronic ballasts:

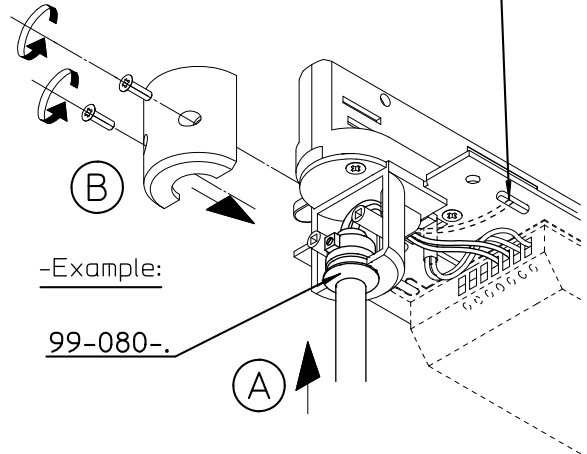
Please note :

For selecting electronic ballasts,
please refer to
manufacturers' current catalogues
and check dimensions before installing.



⑤

⊕ -connection
optional



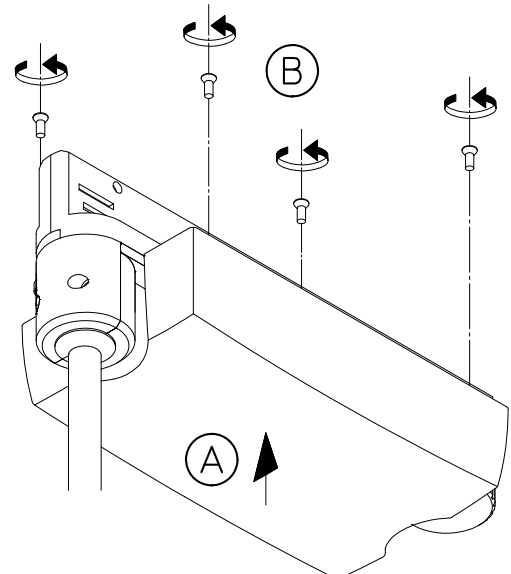
-Example:
99-080-.

-Mechanical load capacity of adaptor:

99-080-.	} 11 lbs.
99-083-.	
99-084-.	
99-085-.	
99-086-.	
99-066-.	

-Retaining collar see Page 5/5

⑥

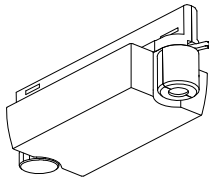


Installation Instructions

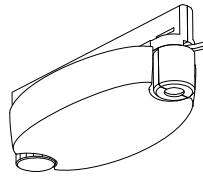
EUTRAC®

2~ /277V

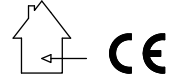
MultiCompactAdaptor



98-573-.



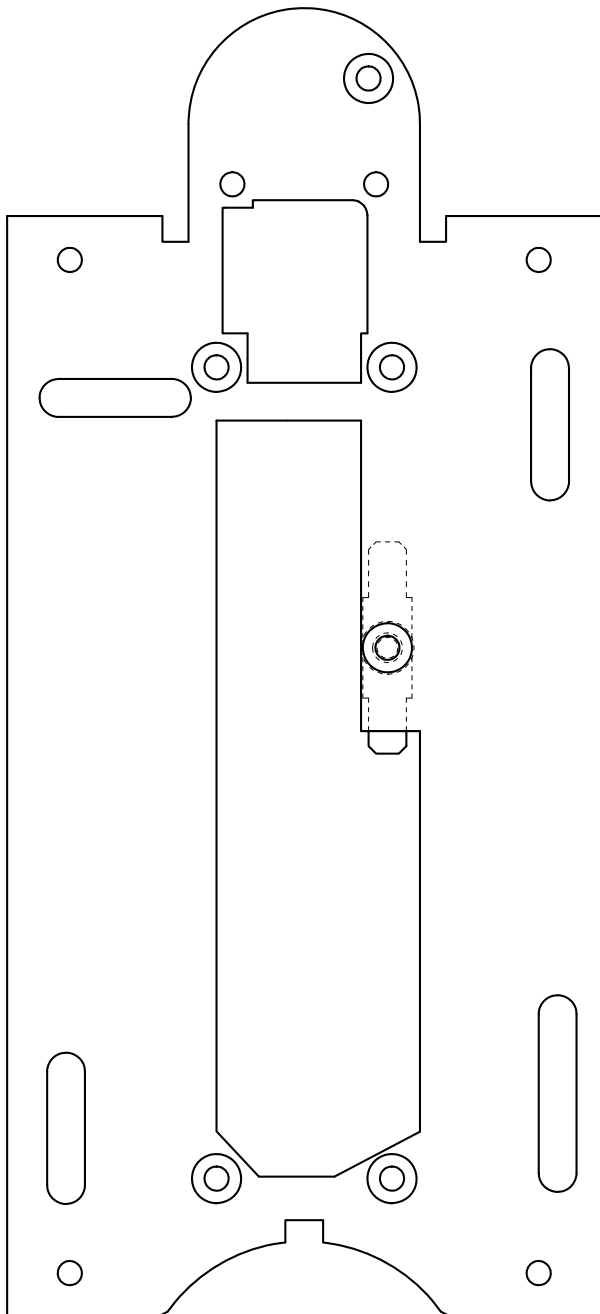
98-582-.



-Mounting plate for different
electronic ballasts:

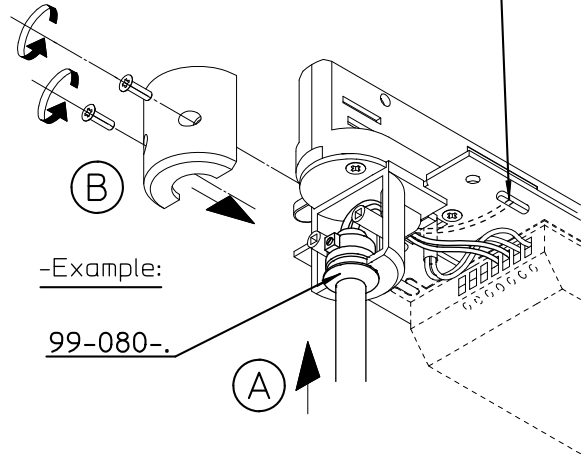
Please note :

For selecting electronic ballasts,
please refer to
manufacturers' current catalogues
and check dimensions before installing.



⑤

-connection
optional



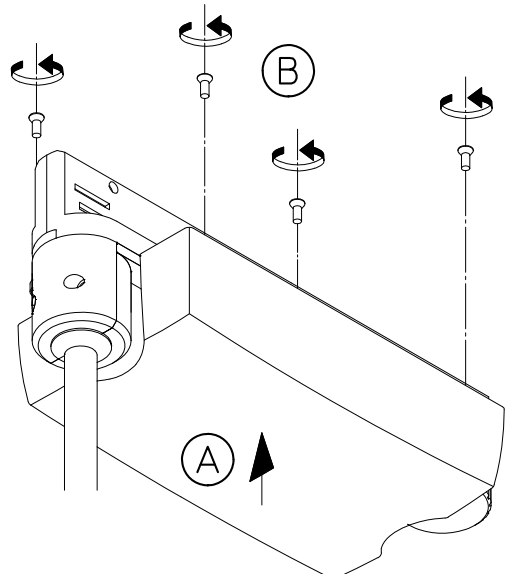
-Example:
99-080-.

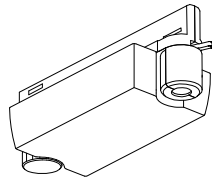
-Mechanical load capacity of adaptor:

99-080-.	} 11 lbs.
99-083-.	
99-084-.	
99-085-.	
99-086-.	
99-066-.	

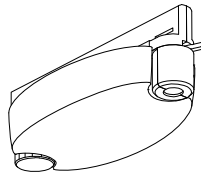
-Retaining collar see Page 5/5

⑥

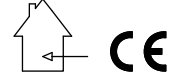




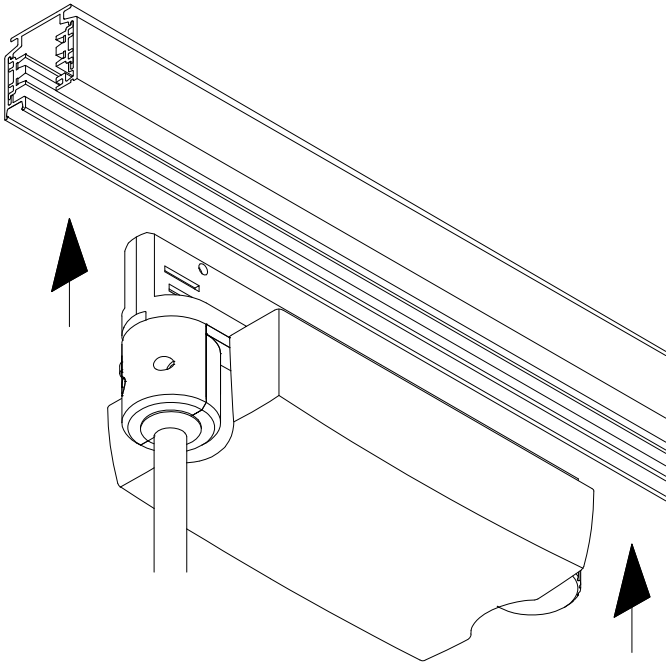
98-573-.



98-582-.

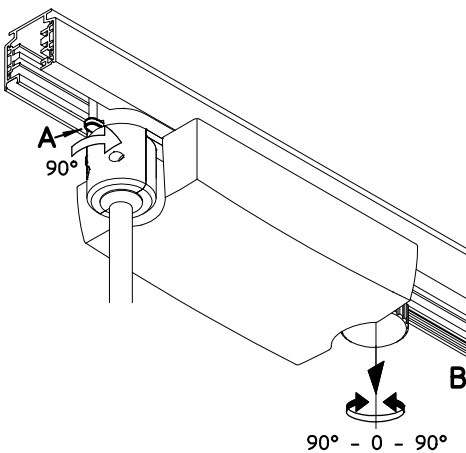


⑦



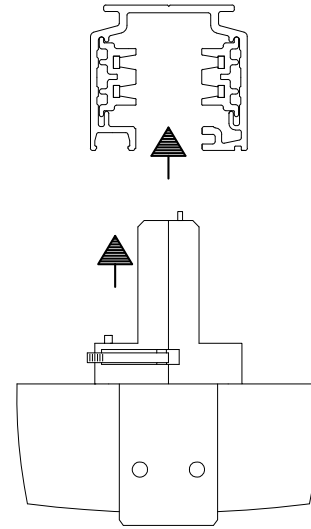
-Make sure ridge of adaptor aligns with groove in track.

⑦.1



-Turn knob **A** 90° clockwise to connect to track.

Turn knob **B** 90° clockwise to connect to circuit 1, and 90° anti-clockwise to connect to circuit 2.

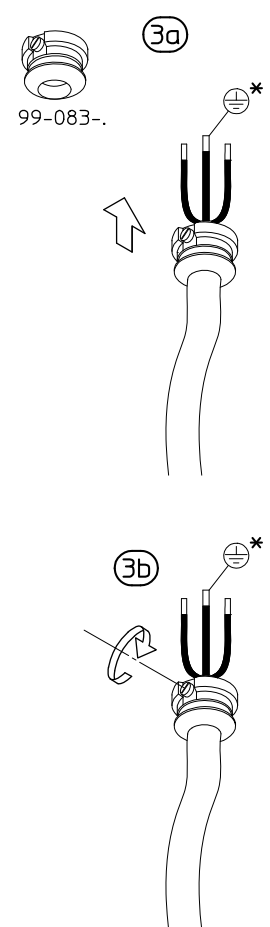
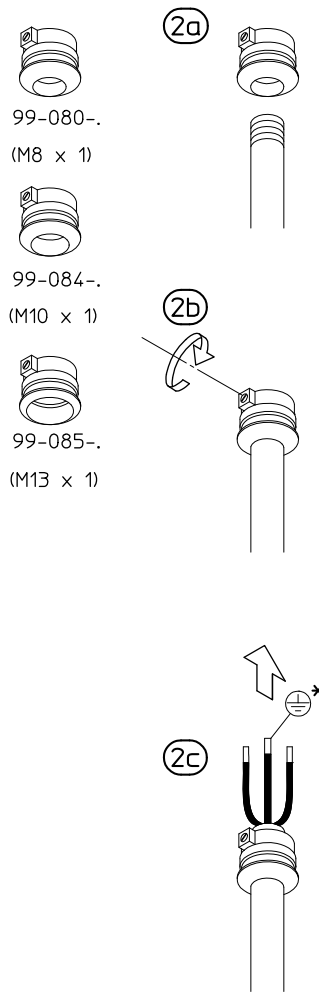
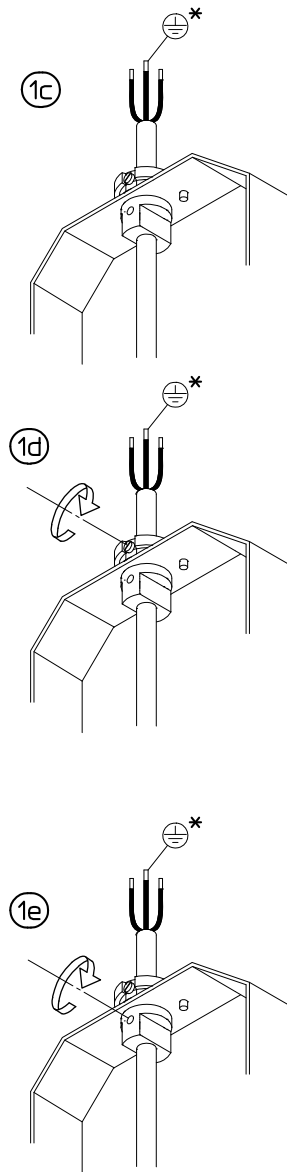
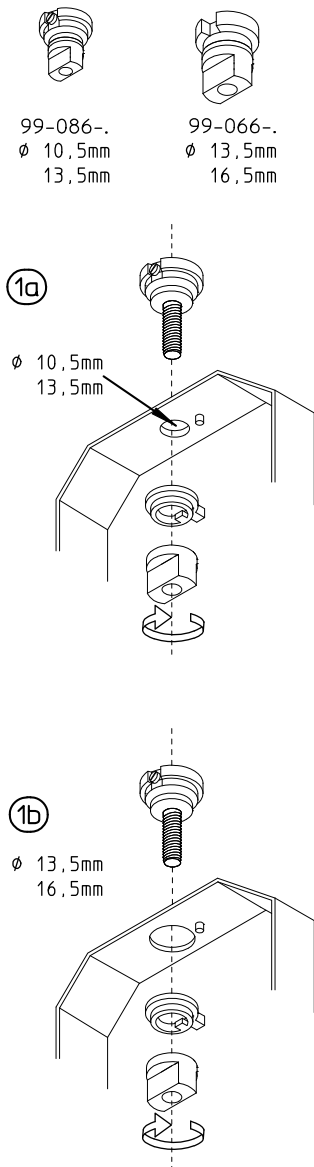
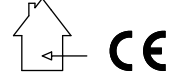
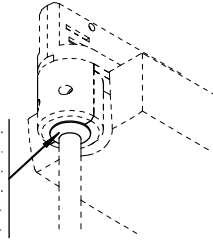


Please note :

Multi-compact adaptors 98-573- / 98-582- can only be mounted on EUTRAC track 242-.

EUTRAC® 2~ / 277V

99-080-
99-083-
99-084-
99-085-
99-086-
99-066-



* -connect earth conductor
to mounting base.