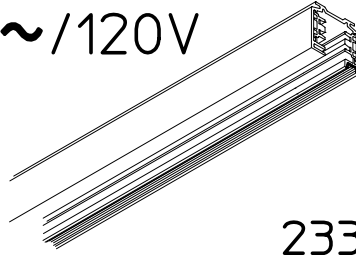


# Installation Instructions

**EUTRAC** DALI  
the intelligent track™  
2~/120V



233 ...

Surface Track  
with Data Bus  
and accessories



## INSTALLATION INSTRUCTIONS

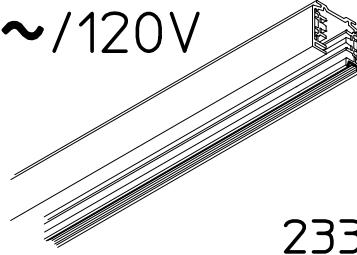
- READ ALL OF THESE INSTALLATION INSTRUCTIONS BEFORE INSTALLING THE EUTRAC TRACK SYSTEM.
- SAVE THESE INSTRUCTIONS AND REFER TO THEM WHEN ADDITIONS TO OR CHANGES IN THE TRACK CONFIGURATION ARE MADE.
- Track is only to be used with other electrical fittings identified for use with the EUTRAC track system 233.
- To be installed by trained personnel only.
- It is the responsibility of the installer to ensure the electrical, mechanical and thermal compatibility of the track system and the fittings.
- Materials used for ceiling fixation should conform to relevant building regulations.
- It is essential to cover the ends of the track with end covers or protective caps.
- This track system is not intended for use with a power supply cord or convenience receptable adaptor.
- This track system is to be supplied by a single branch circuit.
- Track is not to be mounted by cables.

## IMPORTANT SAFETY INSTRUCTIONS

- READ ALL INSTRUCTIONS.
- Do not install this track in damp or wet locations.
- Unless provision for field cutting, do not cut any track sections.
- Do not install any part of a track system less than 5 ft. above the floor.
- Do not install any fixture assembly closer than 6 inches from any curtain or similar combustible material.
- Disconnect electrical power before adding to or changing the configuration of the track.
- Do not attempt to energize anything other than lighting track fixtures on the track. To reduce the risk of fire and electrical shock, do not attempt to connect power tools, extension cords, appliances, and the like to the track.
- ( For track lighting systems other than 120V, two-wire ) Do not connect the track to more than one branch circuit unless the track is constructed so that it can be used with more than one branch circuit. Check with a qualified electrician. Although the track lighting system may seem to operate acceptably, a dangerous overload of the neutral may occur and result in a risk of fire.
- SAVE THESE INSTRUCTIONS.

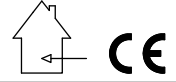
# Installation Instructions

## EUTRAC | DALI the intelligent track™ 2~/120V

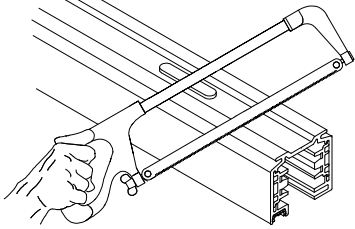


233 ...

Surface Track  
with Data Bus  
and accessories



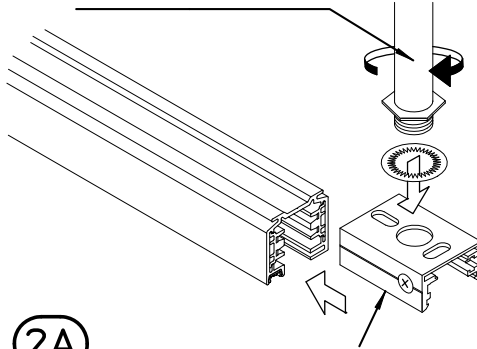
- When cutting the track do not cut-off labeled side !
- After cutting do remove burrs !



- minimum distance that the bus bar can be cut back from the edge of the track-profile is 2 mm
- bus bar do not has to move out of the track-profile.

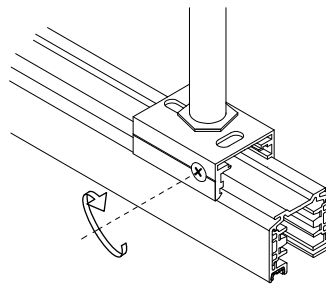
②

198-00-0043-0.



②A

198-00-0001-0.



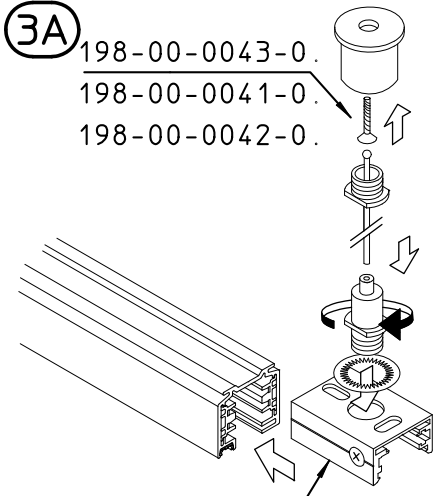
③

optional

- 198-00-0043-0.
- 198-00-0041-0.
- 198-00-0042-0.

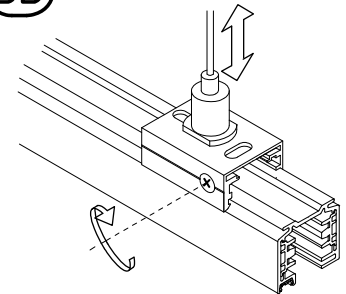
③A

- 198-00-0043-0.
- 198-00-0041-0.
- 198-00-0042-0.

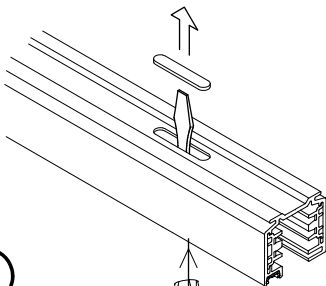


198-00-0001-0.

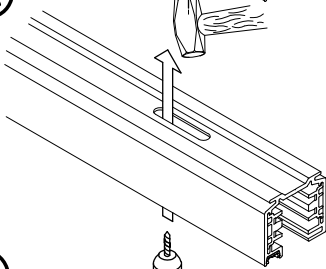
③B



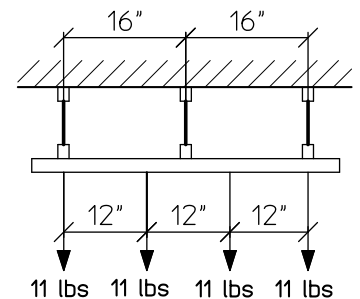
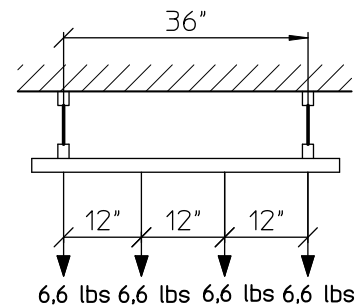
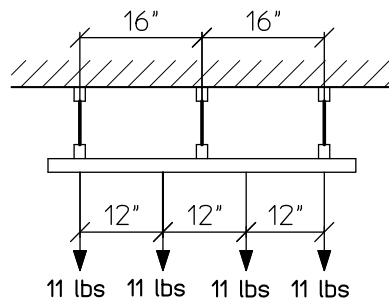
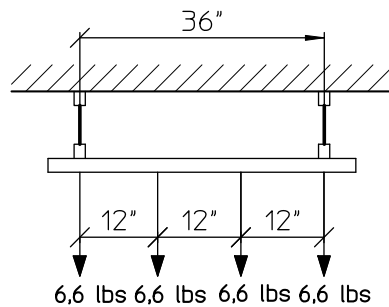
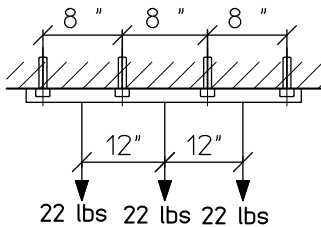
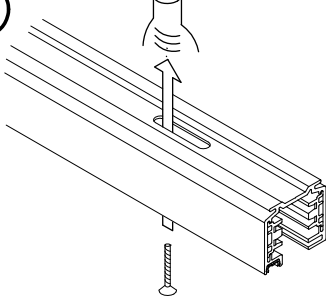
①



①A

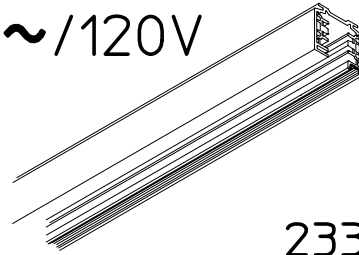


①B



# Installation Instructions

## EUTRAC | DALI the intelligent track™ 2~/120V

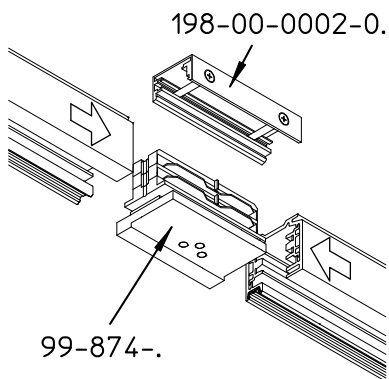


233 ...

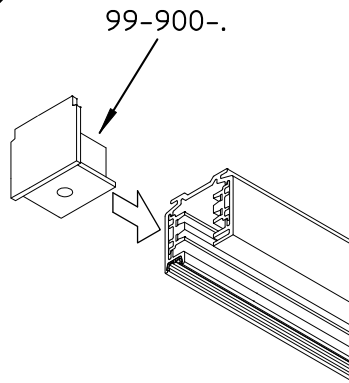
Surface Track  
with Data Bus  
and accessories



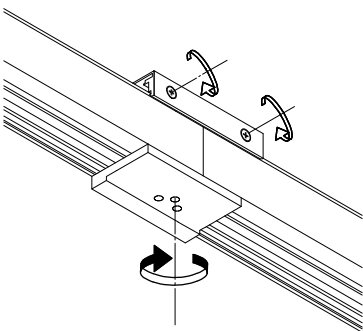
4A



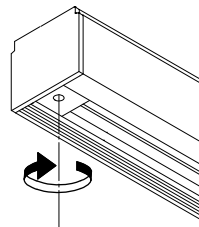
5A



4B

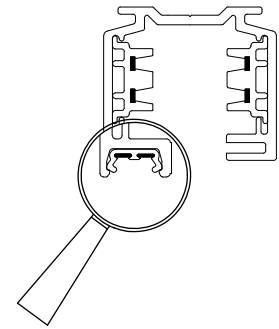


5B



Attention:

Data line only for protective low voltage  
~ max: 50V 2A



When mounting your EUTRAC track with data bus please observe that no loops within the data line are created !

Otherwise a failure free data bus operation can not be ensured since the quality of the data transmission may be interfered with !

If EUTRAC L- or T-couplers are required in your system, the data line connection in the respective coupler may be disconnected for avoiding loops.

