

LightSwitch LSR4

Item no.: 98-440-0

**DALI-/DMX RDM-Relay output module
4-times for DIN – rail installations**



Application:

To integrate and control switchable consumer loads via Intelligent Lighting Systems.

All functionalities are free programmable by the use of the NetComposer and the operating software.

Specification advice:

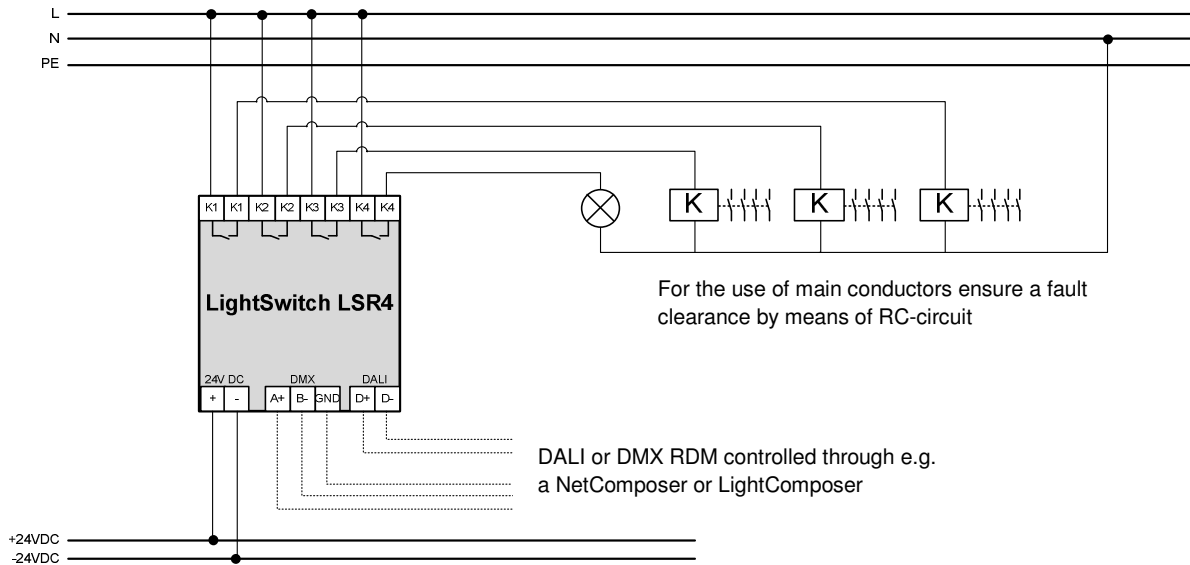
For the installation in enclosures with 35 mm DIN rail accordingly to EN 50022. The switching status is shown by integrated LEDs. With integrated double interface for the connection of DALI or DMX RDM lines.

Technical manual:

The LSR4 provides 4 potential free outputs with a max. switch voltage of 230 VAC, at a consumption of up to 8 A continues current load.

Power supply 24 VDC

Wiring diagram:



Mounting and installation instruction:

- Installation in enclosures with 35 mm (1.38 in) DIN rail according to EN 50022
- The DALI – Interface is compatible to the DALI standard The corresponding specification of the DALI commands can be found in IEC 60929 (in the future: IEC 62386) and can be obtained from your local IEC member
- The max. permissible length of the DALI control line is 300 m 2x1,5 mm² (984 ft 2x .000234 sq in)
- The electrical installation of the DALI control line must be run as a functional extra low voltage installation
- The DMX – Interface channel is compliant with the standard DIN 56930-2 and USITT DMX512A/2008
- Layout and wiring of DMX channel must be carried out in compliance with standards

Technical Data:

Dimensions:	3TE á 17,5 mm (.69 in), 53x90x58 mm (2.09x3.54x2.28)
Weight:	ca. 90 g (.2 lbs)
Permissible ambient temperature:	0 ... +50°C (32 ... 122°F)
Interface:	DALI or DMX
Outputs:	4 times relay 8 A
Mounting:	on 35 mm (1.38 in) DIN rail according to EN 50022
Supply voltage:	24 VDC / 650 mA
Housing material:	PC hardly inflammable
Protection:	IP20
EMC according to:	EN55015, EN 61000-3-2

For more information about NetComposer System have a look to:
www.intelligentlighting.de

Datenblätter in Deutsch und weitere Informationen finden Sie auf:
www.intelligentlighting.de