

TrackLink-REG TLR8

Item no.: 558 2 0003 0

DIN-Rail push button control unit for 8 inputs, to be switched by potential free contacts



Application:

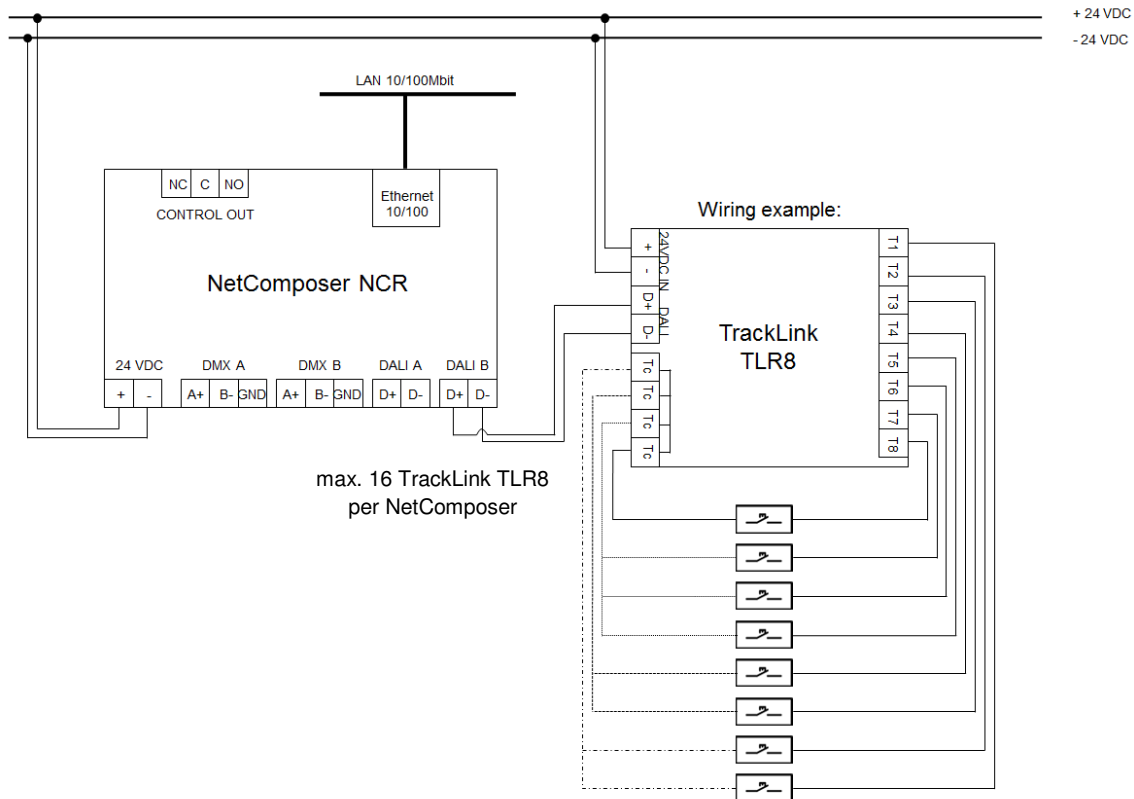
The TLR offers 8 inputs, to be switched by potential free contacts, for connection of external push button, switches or other components such as time switches and sensors. The TLR8 switching components can be easily integrated into an Intelligent Lighting system.

All functions can be set up by using the NetComposer control unit and the setup software.

Specification advice:

For the installation in enclosures with 35 mm (1.38 in) DIN rail accordingly to EN 50022.

Wiring Diagramm:



Mounting and installation instruction:

- Installation in enclosures with 35 mm (1.38 in) DIN rail according to EN 50022
- The DALI – Interface is compatible to the DALI standard. The corresponding specification of the DALI commands can be found in IEC 60929 (in the future: IEC 62386) and can be obtained from your local IEC member
- The max. permissible length of the DALI control line is 300 m 2x1, 5 mm² (984 ft 2x .000234 sq in)
- The electrical installation of the DALI control line must be run as a functional extra low voltage installation
- It is not allowed to use push-button wires longer than 30 cm, if needed use external coupling relays units.

Technical Data:

Dimensions:	3TE á 17,5 mm (.69 in), 53x90x58 mm (2.09x3.54x2.28 in)
Weight:	ca. 100 g (.22 lbs)
Permissible ambient temperature:	0 ... +50°C (32 ... 122°F)
Inputs:	8
Input cable:	max. 30 cm
Mounting:	on 35 mm (1.38 in) DIN rail according to EN 50022
Supply voltage:	DALI (max 24 VDC)
Power consumption:	10 mA
Housing material:	PC hardly inflammable
Protection:	IP20
EMC according to:	EN55015, EN 61000-3-2

For more information about NetComposer System have a look to:
www.intelligentlighting.de